

## **POST AND BEAM ENDWALL DETAILS**

- AB0005 - COLD FORMED ENDWALL ERECTION NOTE DETAIL
  - AB0010 - LOW EAVE - CF RAFTER
  - AB0011 - LOW EAVE - CF RAFTER AT MASONRY
  - AB0020 - LOW EAVE - BU RAFTER
  - AB0025 - LOW EAVE - BU RAFTER (COL. ROTATED 90°)
  - AB0030 - INTERIOR - CF RAFTER (SIMPLE SPAN)
  - AB0040 - INTERIOR - CF RAFTERS (LAPPED)
  - AB0045 - INTERIOR - CF RAFTERS (CONTINUOUS)
  - AB0050 - INT. COL. TO RAFTER CONNECTION, W/BU & CF RAFTERS @ OPP. SIDES
  - AB0070 - BU RAFTERS (SIMPLE SPAN)
  - AB0080 - BU RAFTER (CONTINUOUS)
  - AB0090 - HIGH EAVE - CF RAFTER
  - AB0095 - HIGH EAVE - CF RAFTER (COL. ROTATED 90°)
  - AB0098 - HIGH EAVE PARAPET - CF RAFTER
  - AB0099 - EW CEE COLUMN TO RAFTER CONNECTION
  - AB0110 - EW CEE COL TO RIDGE RAFTER CONN
  - AB0120 - RIDGE COL. TO RAF. CONNECTION, W/ BU & CF RAFTERS @ OPP. SIDES
  - AB0150 - EW RAFTER RIDGE CONN
  - AB0200 - ENDWALL PIGGY-BACK CEE COLUMN TO RAFTER CONN
  - AB0210 - ENDWALL PIGGY-BACK CEE COLUMN TO RAFTER CONN
  - AB0220 - ENDWALL PIGGY-BACK CEE COLUMN TO RAFTER CONN
  - AB0230 - ENDWALL PIGGY-BACK CEE COLUMN TO RIDGE RAFTER CONN
  - AB0240 - ENDWALL PIGGY-BACK CEE COLUMN TO RAFTER CONN
  - AB0250 - ENDWALL PIGGY-BACK CEE COLUMN TO RIDGE RAFTER CONN
  - AB0510 - EW COL TO RAFTER CONN
  - AB0515 - EW COL TO RAFTER CONN
  - AB0516 - LOW EAVE COL. CF RAFTER @ MASONRY WALL (COL. ROT. 90 DEG)
  - AB0517 - LOW EAVE COL. CF RAFTER @ MASONRY WALL (COL. ROT. 90 DEG)
  - AB0530 - CF RAFTERS (SIMPLE SPAN)
  - AB0535 - CF RAFTER (SIMPLE SPAN-COLUMN ROTATED 90 DEG)
  - AB0540 - CF RAFTER (LAPPED)
  - AB0545 - COLUMN TO CF RAFTER (CONTINUOUS)
  - AB0550 - INTERMEDIATE COL. CONN. (SIMPLE SPAN W/ BU & CF RAF. @ OPP. SIDES)
-

AB0560 - BU RAFTER LEFT CF RAFTER RIGHT

AB0590 - HIGH EAVE (CF RAFTER)

AB0595 - EW COL TO RAFTER (COL ROTATED 90° @ HIGH EAVE)

AB0598 - EW COL. TO RAF. CONNECTION (HIGH EAVE @ PARAPET BY OTHERS)

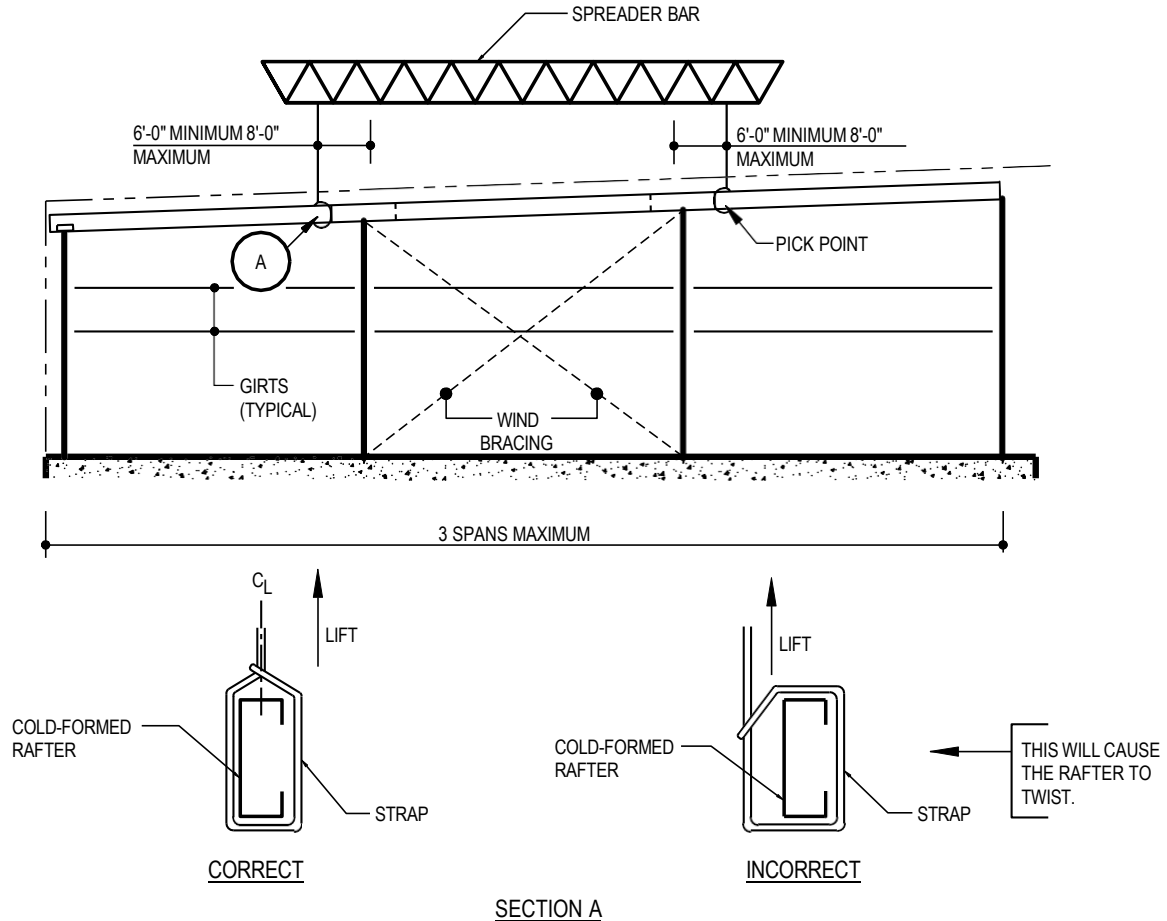
AB0599 - 90° ROTATED EW COL TO RAFTER CONN @ H EAVE (WITH PARAPET)

AB0610 - EW COL TO CF RAFTER CONN (@ RIDGE)

AB0620 - RIDGE (BU RAFTER RIGHT, CF RAFTER LEFT)

AB0005 - COLD FORMED ENDWALL ERECTION NOTE DETAIL

[Download the DWG file by clicking here.](#)



## COLD FORMED ENDWALL ERECTOR DETAIL

- 1) GIRTS, CLIPS, RAFTERS AND COLUMNS MUST BE SECURELY AND TIGHTLY BOLTED TOGETHER PRIOR TO STANDING UP THE ENDWALL SECTION. (NOTE: THE GIRTS PROVIDE STABILITY TO THE ENDWALL SYSTEM DURING THE ERECTION PROCESS)
- 2) BUILT-UP COLUMNS/RAFTERS MUST BE ERECTED INDIVIDUALLY WHEN USED WITH COLD FORMED ENDWALL PARTS
- 3) THIS DETAIL IS SUGGESTED IN ORDER TO MAINTAIN STRUCTURAL INTEGRITY OF ENDWALL PARTS AFTER ERECTION. AND PRACTICALITY OF INDIVIDUAL SITUATIONS.
- 4) REGULATIONS SET FORTH BY THE OCCUPATIONAL SAFETY AND HEALTH ACT, LOCAL, STATE, AND/OR FEDERAL AGENCIES SHOULD BE ADHERED TO AT ALL TIMES. THE METAL BUILDING SUPPLIER IS NOT RESPONSIBLE FOR INJURY, DAMAGE, OR FAILURE WHICH MAY RESULT FROM FAILING TO MEET ANY OF THESE REGULATIONS.

AB0005

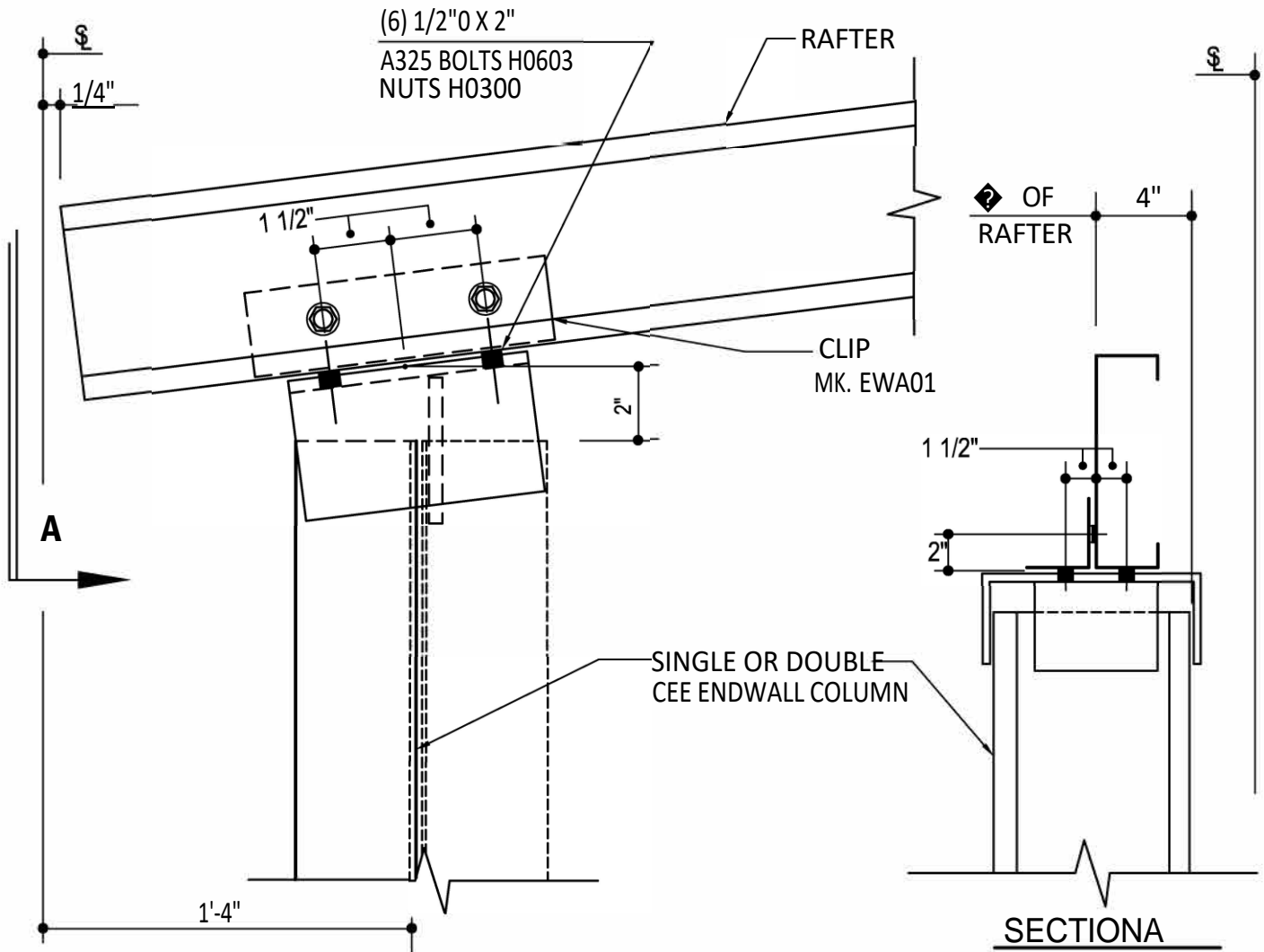
AB0005

Detailer Notes:

- 1) N/A

AB0010 - LOW EAVE - CF RAFTER

[Download the DWG file by clicking here.](#)



**EW CEE COLUMN TO RAFTER CONN**

COLUMN TOP CLIP FACTORY WELDED TO COLUMN  
REFERENCE ERECTOR NOTE FOR TYPICAL WASHER REQUIREMENTS

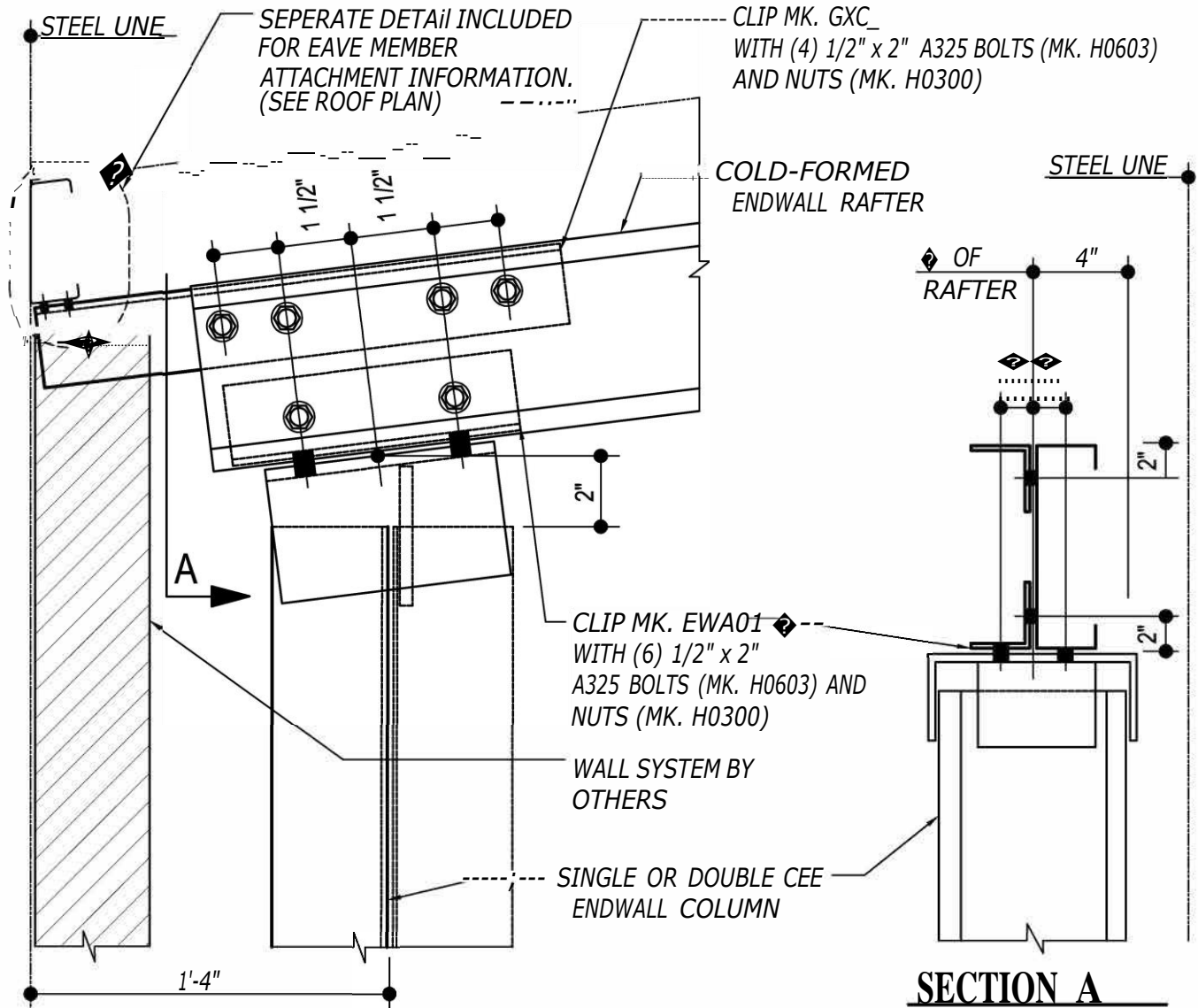
**( AB0010 )**

Detailer Notes:

- 1) N/A

AB0011 - LOW EAVE - CF RAFTER AT MASONRY

[Download the DWG file by clicking here.](#)



## EW CEE COLUMN TO RAFTER AT MASONRY

COLUMN TOP CLIP FACTORY WELDED TO COLUMN  
 REFERENCE ERECTOR NOTE FOR TYPICAL WASHER REQUIREMENTS  
 REFERENCE ROOF FRAMING PLAN FOR EAVE STRUT BOLT REQUIREMENTS

**(AB0011)**

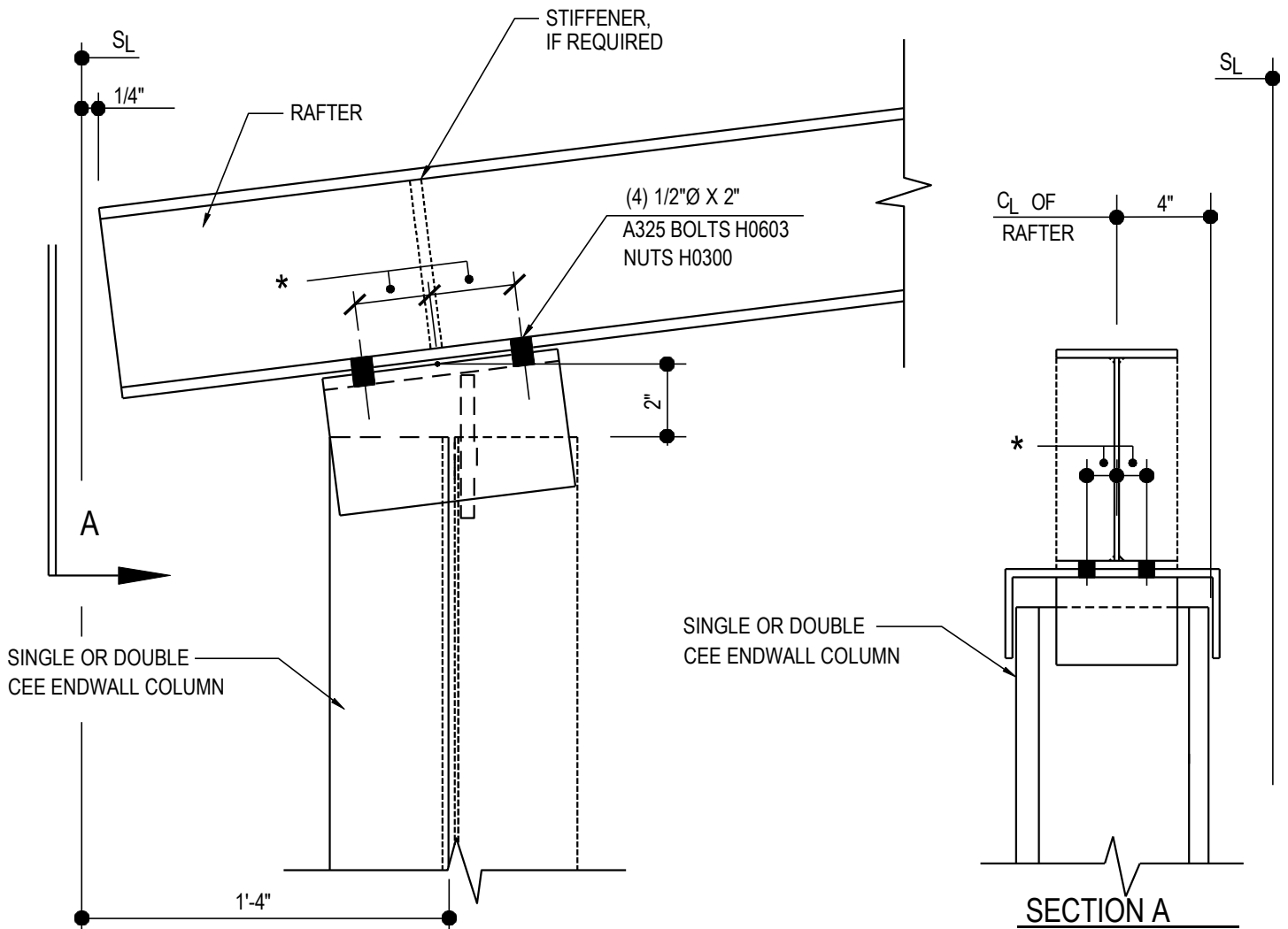
Detailer Notes:

- 1) DETAILER MUST CREATE SPECIAL DETAIL FOR EAVE STRUT CONN. AND PLACE CALL OUT ON ROOF PLAN. DETAIL TO INCLUDE: **GXC- PART MARK & ATTACHING HARDWARE MARKS & QUANTITY.**

AB0020 - LOW EAVE - BU RAFTER

[Download the DWG file by clicking here.](#)

- \* - 1 1/8" GAGE @ 4" RAFTER FLANGE
- \* - 1 1/2" GAGE @ GREATER THAN 4" RAFTER FLANGE



## EW CEE COLUMN TO RAFTER CONN

COLUMN TOP CLIP FACTORY WELDED TO COLUMN  
REFERENCE ERECTOR NOTE FOR TYPICAL WASHER REQUIREMENTS

**AB0020**

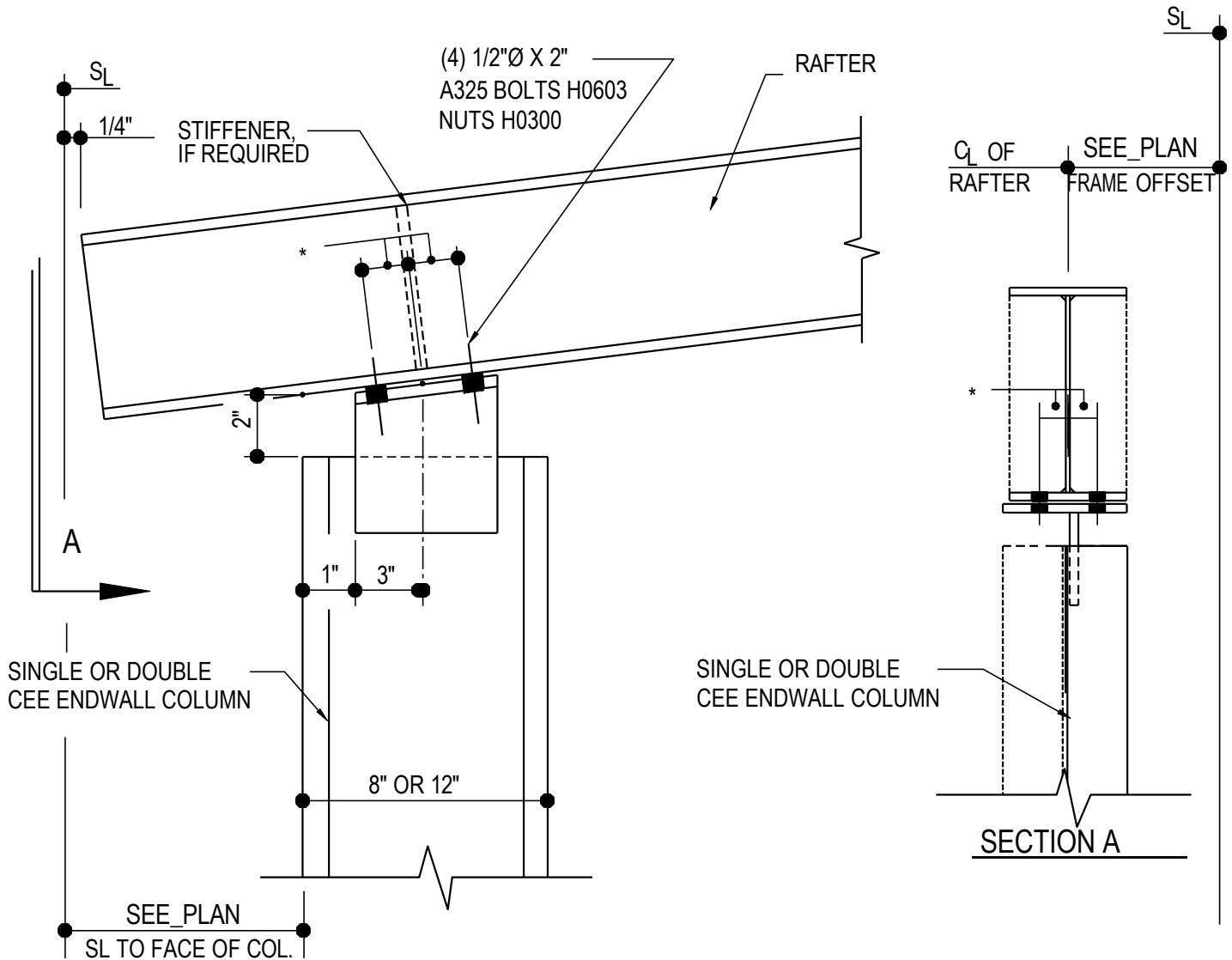
Detailer Notes:

- 1) N/A

AB0025 - LOW EAVE - BU RAFTER (COL. ROTATED 90°)

[Download the DWG file by clicking here.](#)

- \* - 1 1/8" GAGE @ 4" RAFTER FLANGE
- \* - 1 1/2" GAGE @ GREATER THAN 4" RAFTER FLANGE



## EW CEE COLUMN TO RAFTER CONN

COLUMN TOP CLIP FACTORY WELDED TO COLUMN  
REFERENCE ERECTOR NOTE FOR TYPICAL WASHER REQUIREMENTS

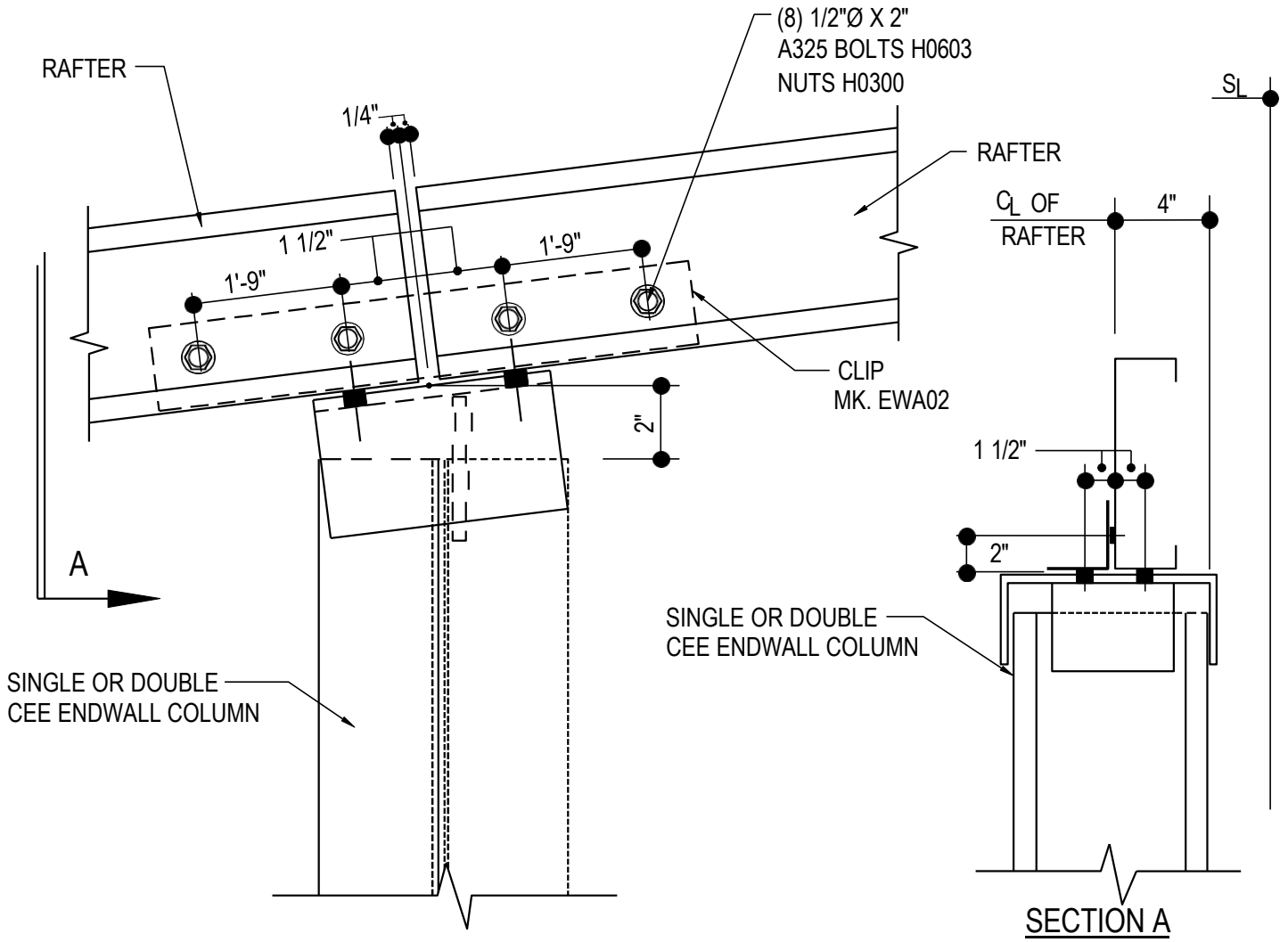
**AB0025**

Detailer Notes:

- 1) N/A

AB0030 - INTERIOR - CF RAFTER (SIMPLE SPAN)

[Download the DWG file by clicking here.](#)



**EW CEE COLUMN TO RAFTER CONN**

(SIMPLE SPAN)

COLUMN TOP CLIP FACTORY WELDED TO COLUMN  
REFERENCE ERECTOR NOTE FOR TYPICAL WASHER REQUIREMENTS

**AB0030**

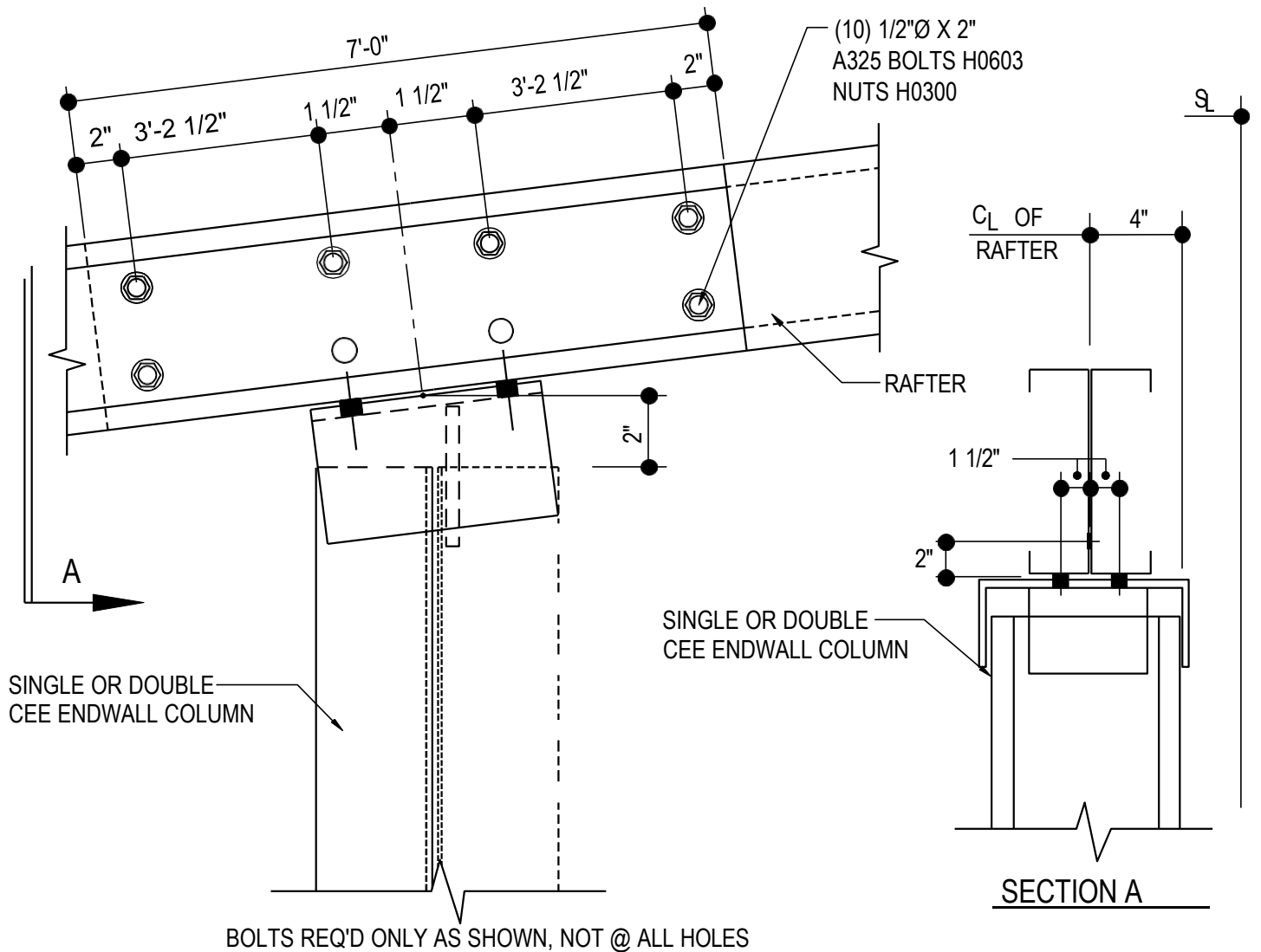
Detailer Notes:

- 1) N/A



AB0040 - INTERIOR - CF RAFTERS (LAPPED)

[Download the DWG file by clicking here.](#)



## EW CEE COLUMN TO RAFTER CONN

(LAPPED RAFTER)

COLUMN TOP CLIP FACTORY WELDED TO COLUMN

REFERENCE ERECTOR NOTE FOR TYPICAL WASHER REQUIREMENTS

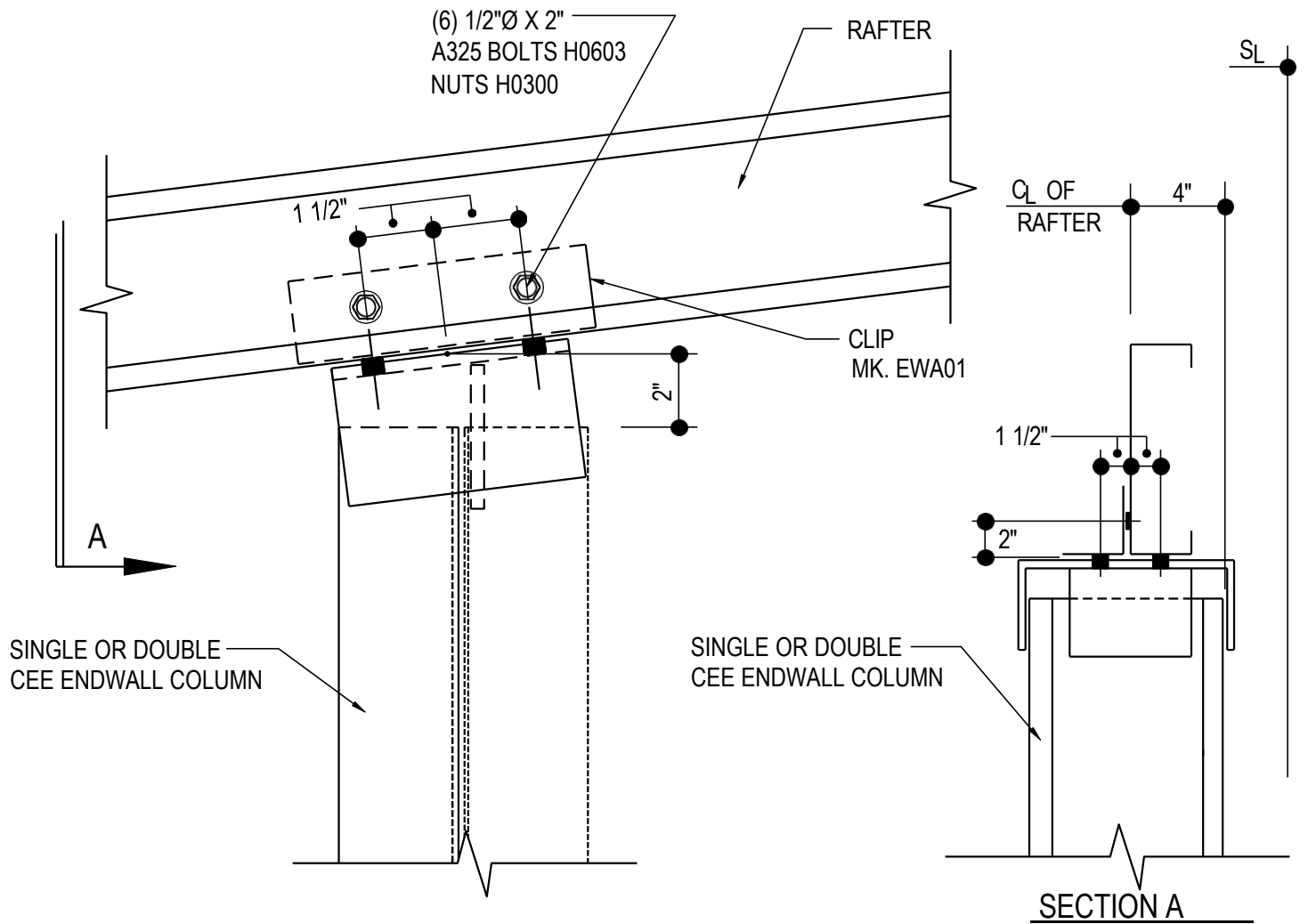
**AB0040**

Detailer Notes:

- 1) N/A

AB0045 - INTERIOR - CF RAFTERS (CONTINUOUS)

[Download the DWG file by clicking here.](#)



## EW CEE COLUMN TO RAFTER CONN

(CONTINUOUS RAFTER)

COLUMN TOP CLIP FACTORY WELDED TO COLUMN

REFERENCE ERECTOR NOTE FOR TYPICAL WASHER REQUIREMENTS

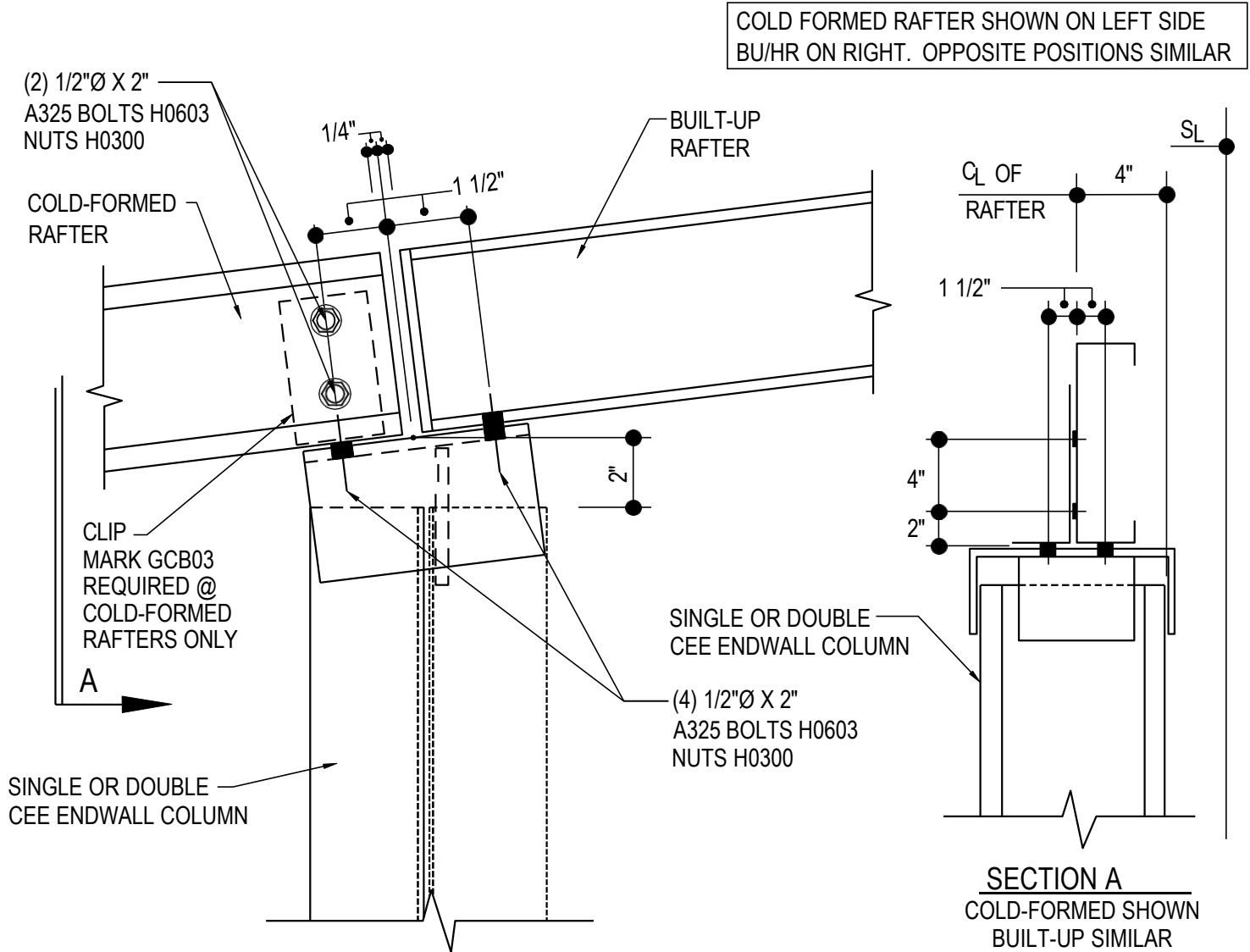
**AB0045**

Detailer Notes:

- 1) N/A

AB0050 - INT. COLUMN TO RAFTER CONNECTION, W/BU & CF RAFTERS @ OPP. SIDES

[Download the DWG file by clicking here.](#)



## EW CEE COLUMN TO RAFTER CONN

BOLT COLUMN TO RAFTER FLANGES AS SHOWN  
COLUMN TOP CLIP FACTORY WELDED TO COLUMN  
REFERENCE ERECTOR NOTE FOR TYPICAL WASHER REQUIREMENTS

**AB0050**

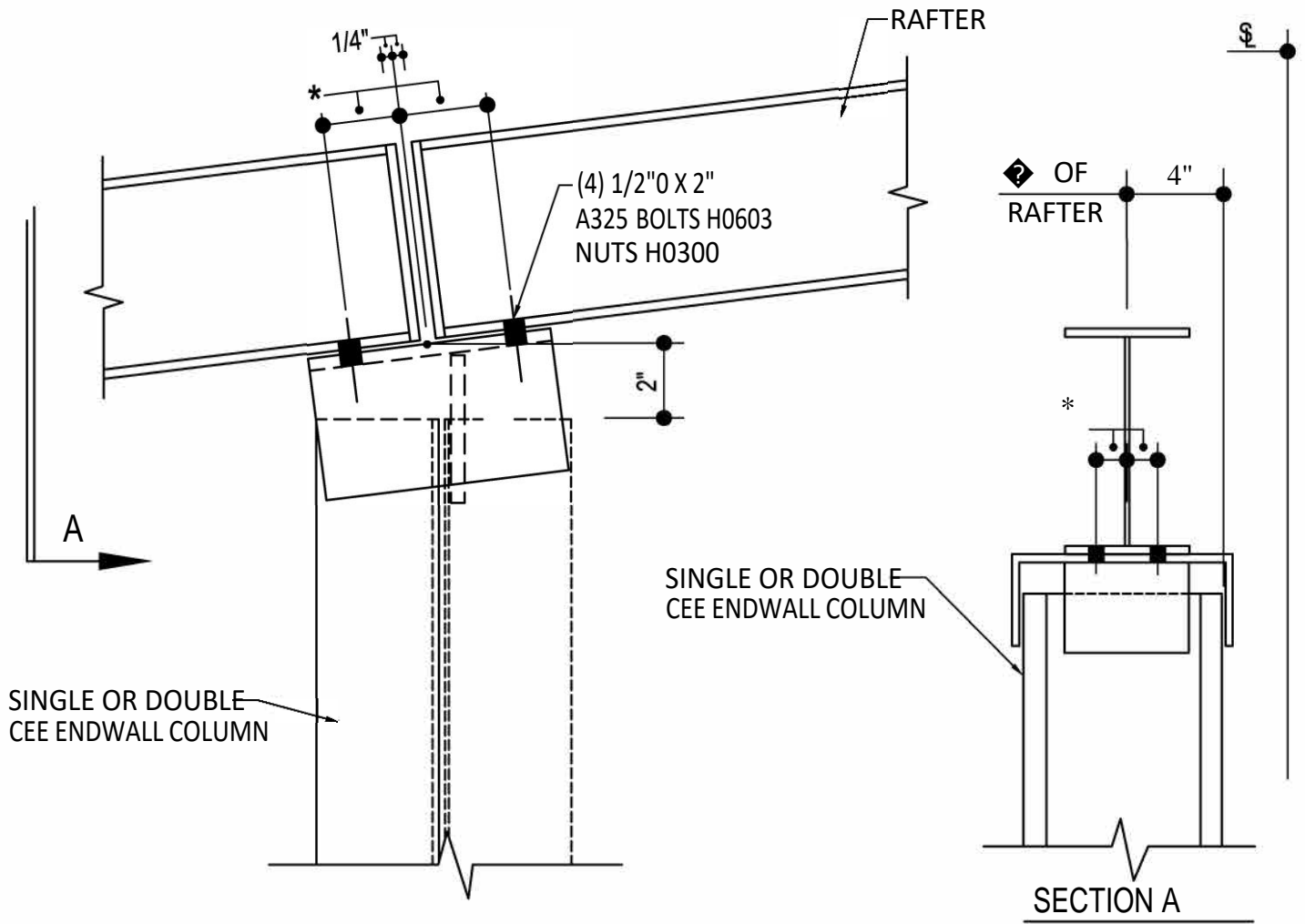
Detailer Notes:

- 1) N/A

AB0070 - BU RAFTERS (SIMPLE SPAN)

[Download the DWG file by clicking here.](#)

-11/8" GAGE@4" RAFTER FLANGE  
\* -11/2" GAGE@GREATER THAN 4" RAFTER FLANGE



**EW CEE COLUMN TO RAFTER CONN**

COLUMN TOP CLIP FACTORY WELDED TO COLUMN  
REFERENCE ERECTOR NOTE FOR TYPICAL WASHER REQUIREMENTS

**( AB0070 )**

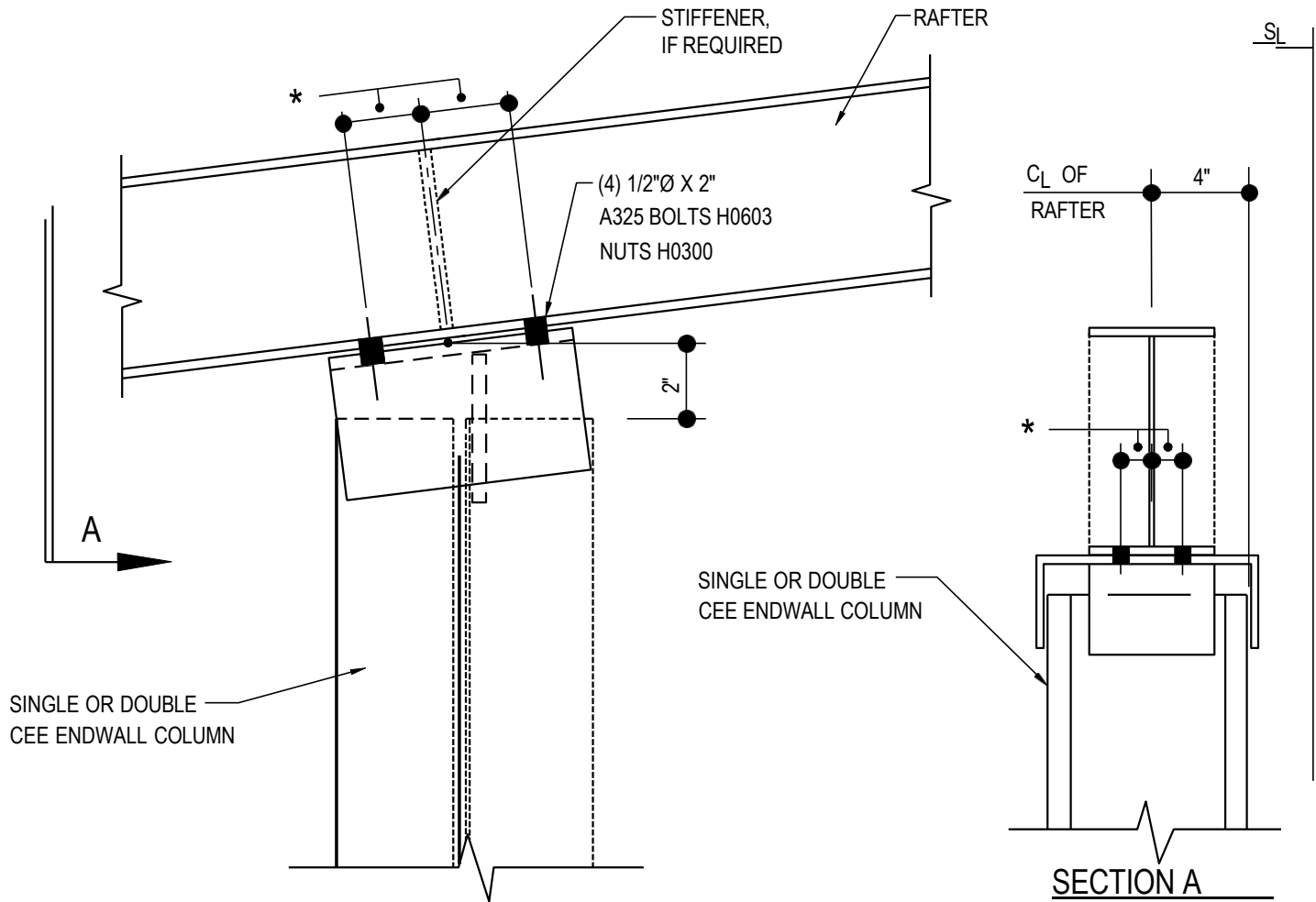
Detailer Notes:

- 1) N/A

AB0080 - BU RAFTER (CONTINUOUS)

[Download the DWG file by clicking here.](#)

- \* - 1 1/8" GAGE @ 4" RAFTER FLANGE
- \* - 1 1/2" GAGE @ GREATER THAN 4" RAFTER FLANGE



## EW CEE COLUMN TO RAFTER CONN

(CONTINUOUS RAFTER)

COLUMN TOP CLIP FACTORY WELDED TO COLUMN

REFERENCE ERECTOR NOTE FOR TYPICAL WASHER REQUIREMENTS

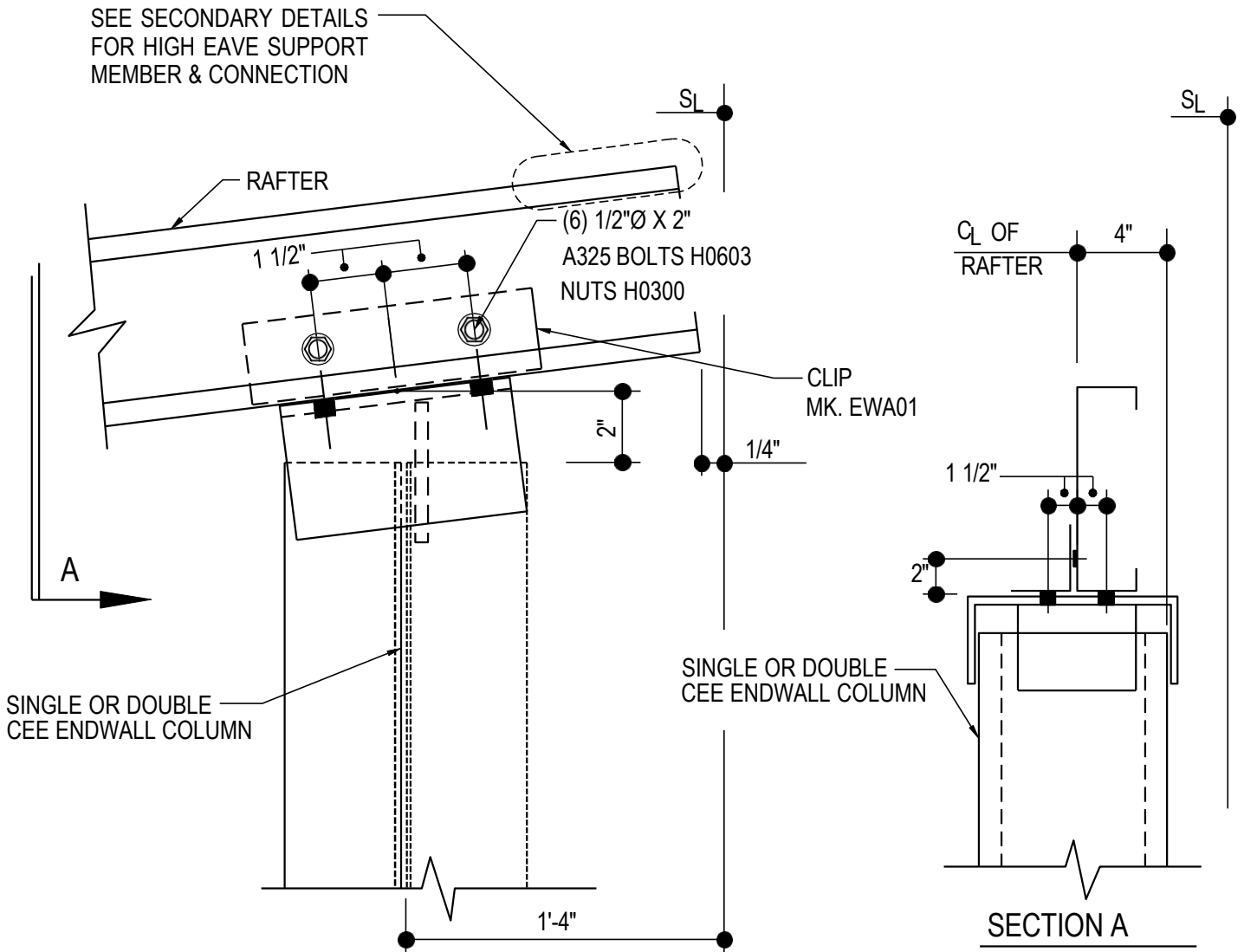
**AB0080**

**Detailer Notes:**

- 1) N/A

AB0090 - HIGH EAVE - CF RAFTER

[Download the DWG file by clicking here.](#)



## EW CEE COLUMN TO RAFTER CONN

COLUMN TOP CLIP FACTORY WELDED TO COLUMN  
REFERENCE ERECTOR NOTE FOR TYPICAL WASHER REQUIREMENTS

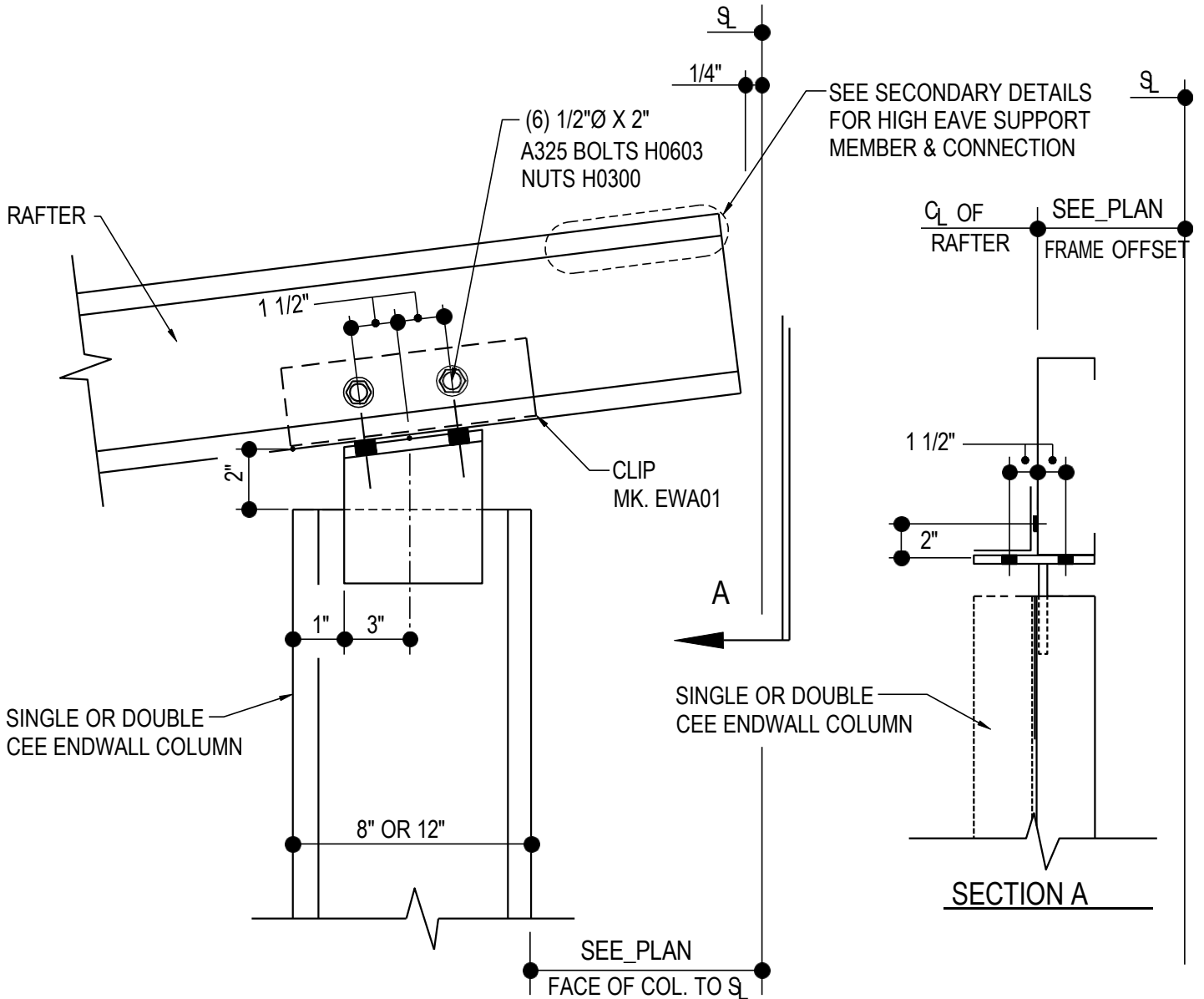
**AB0090**

Detailer Notes:

- 1) N/A

AB0095 - HIGH EAVE - CF RAFTER (COL. ROTATED 90°)

[Download the DWG file by clicking here.](#)



### EW CEE COLUMN TO RAFTER CONN

COLUMN TOP CLIP FACTORY WELDED TO COLUMN  
REFERENCE ERECTOR NOTE FOR TYPICAL WASHER REQUIREMENTS

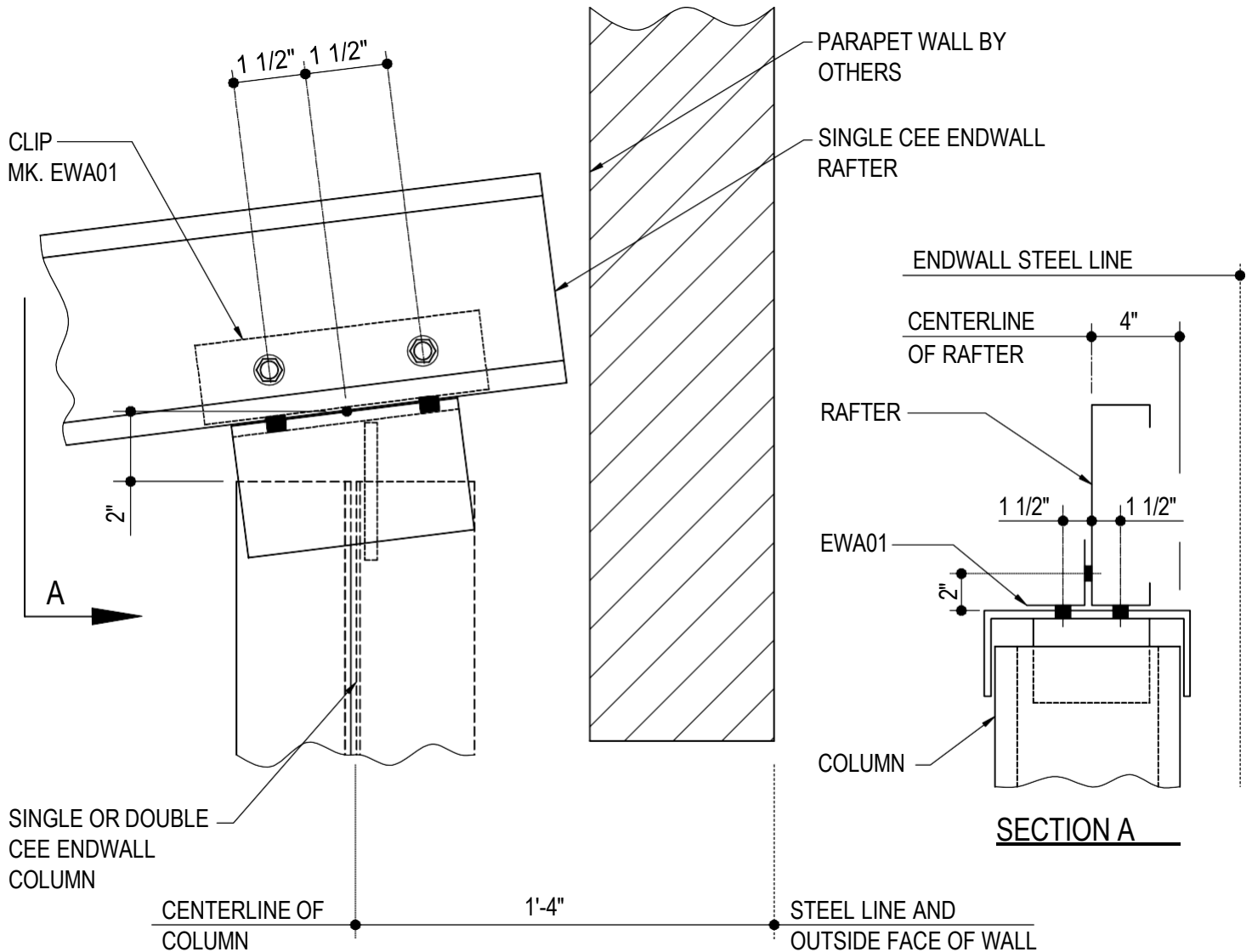
**AB0095**

Detailer Notes:

- 1) N/A

AB0098 - HIGH EAVE PARAPET - CF RAFTER

[Download the DWG file by clicking here.](#)



## EW CEE COLUMN TO RAFTER CONNECTION

COLUMN TOP CLIP FACTORY WELDED TO COLUMN

USE (6) 1/2"Ø x 2" A325 BOLTS (MK. H0603) & NUTS (MK. H0300)

REFERENCE ERECTOR NOTE FOR TYPICAL WASHER REQUIREMENTS

**AB0098**

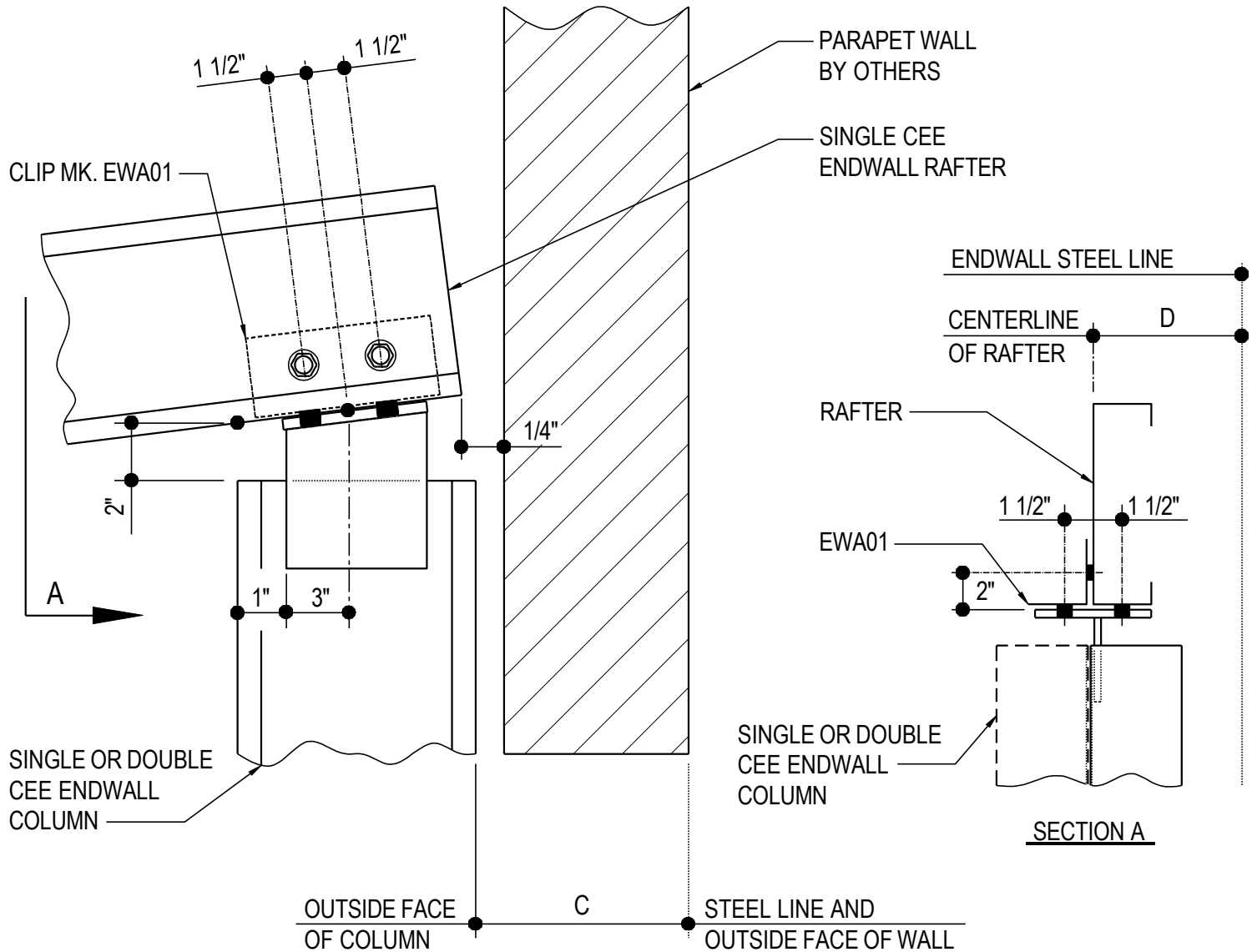
Detailer Notes:

- 1) N/A



AB0099 - EW CEE COLUMN TO RAFTER CONNECTION

[Download the DWG file by clicking here.](#)



## EW CEE COLUMN TO RAFTER CONNECTION

COLUMN TOP CLIP FACTORY WELDED TO COLUMN

USE (6) 1/2"Ø x 2" A325 BOLTS (MK. H0603) & NUTS (MK. H0300)

REFERENCE ERECTOR NOTE FOR TYPICAL WASHER REQUIREMENTS

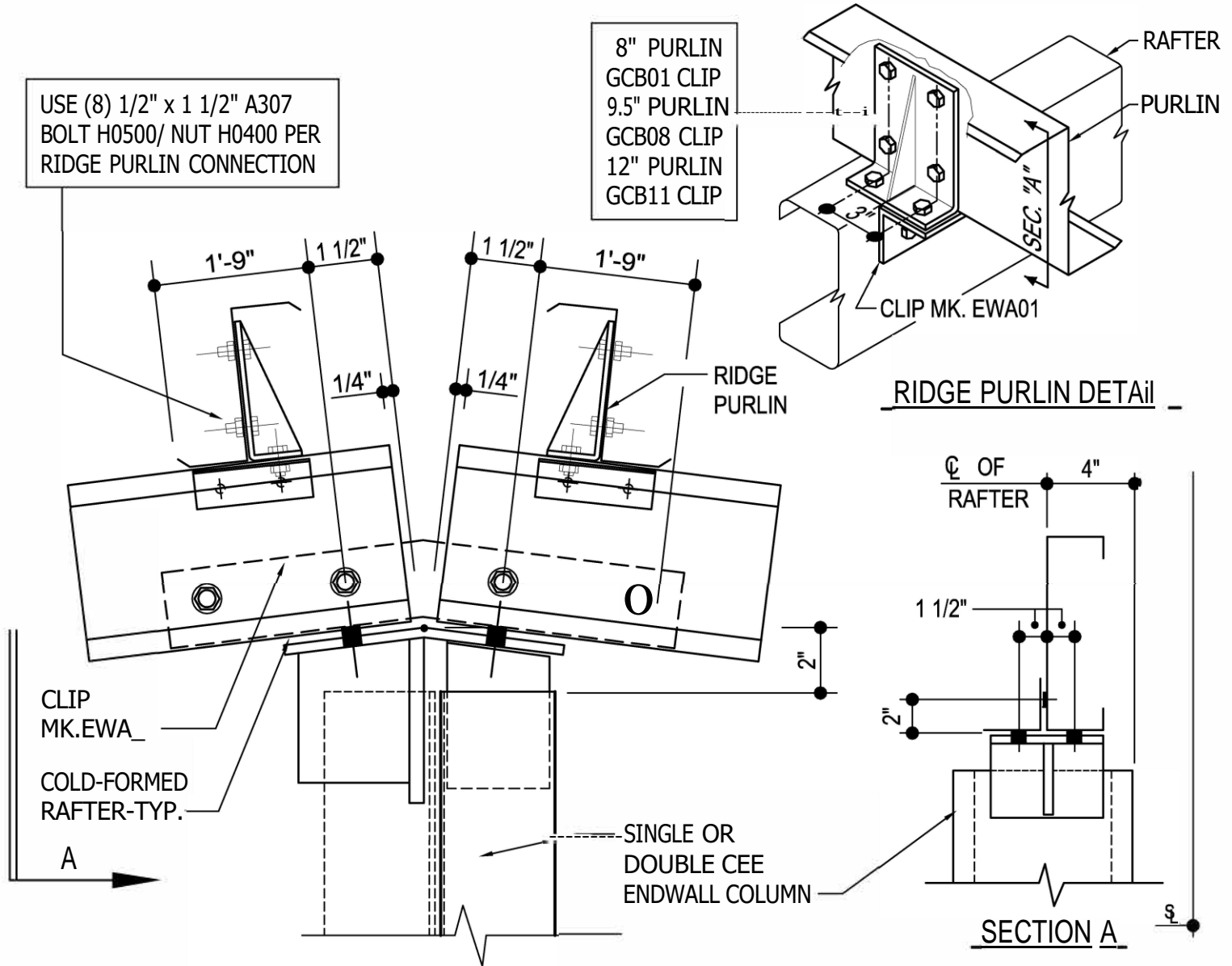
**AB0099**

Detailer Notes:

- 1) N/A

AB0110 - EW CEE COL TO RIDGE RAFTER CONN

[Download the DWG file by clicking here.](#)



## EW CEE COL TO RIDGE RAFTER CONN

BOLT COL. TO RAF. FLANGE AND WEB W/  
 (8) 1/2" X 2" A325 BOLTS H0603/NUTS H0300  
 EWA\_ CLIP MUST BE INSTALLED AS SHOWN  
 REFERENCE ERECTOR NOTE FOR TYPICAL WASHER REQUIREMENTS

**( AB0110 )**

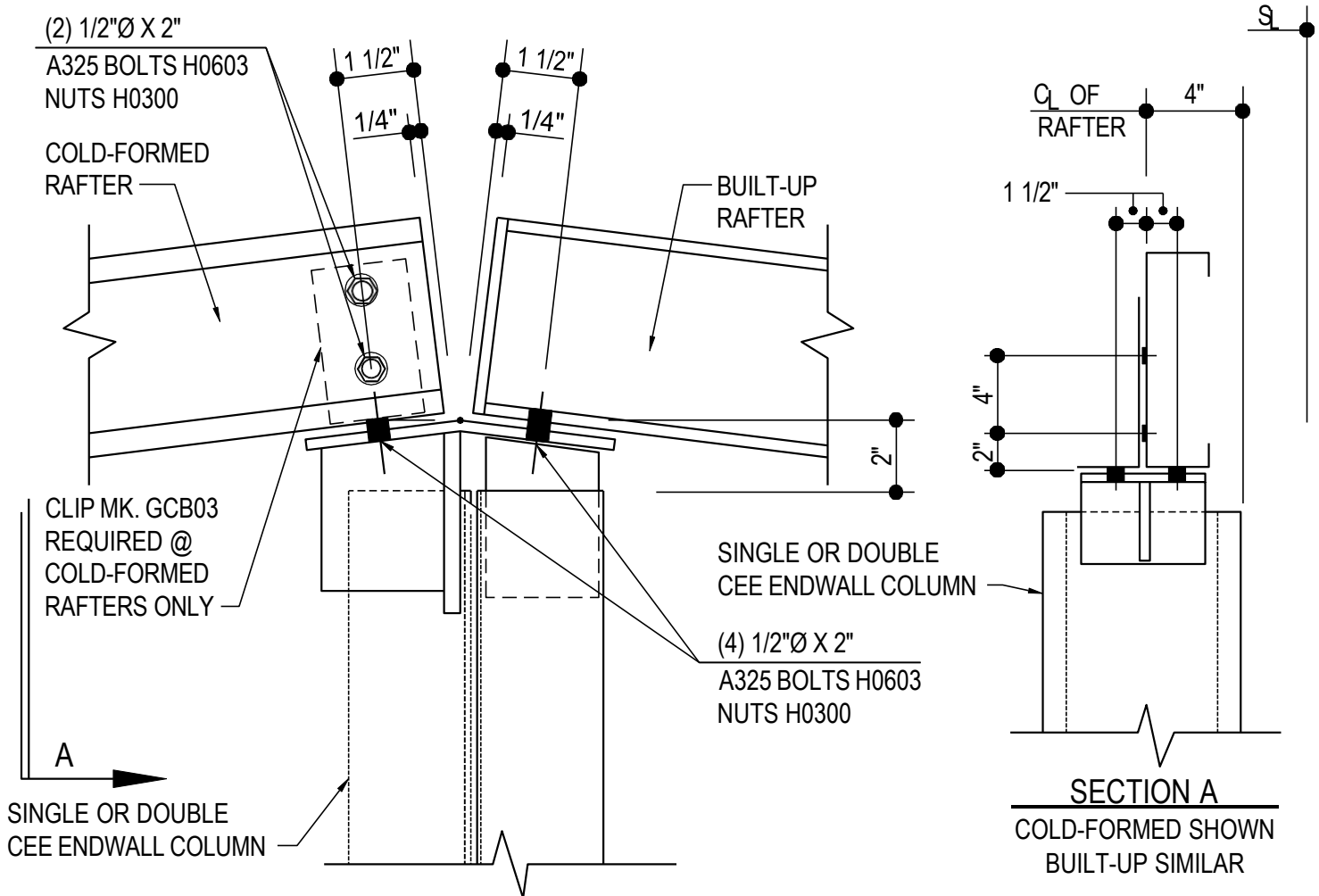
Detailer Notes:

1) N/A

AB0120 - RIDGE COLUMN TO RAFTER CONNECTION, W/ BU & CF RAFTERS @ OPP. SIDES

[Download the DWG file by clicking here.](#)

COLD FORMED RAFTER SHOWN ON LEFT SIDE,  
BU/HR ON RIGHT. OPPOSITE POSITION SIMILAR.



AB0120

## EW CEE COL TO RIDGE RAFTER CONN

BOLT COLUMN TO RAFTER FLANGES AS SHOWN  
REFERENCE ERECTOR NOTE FOR TYPICAL WASHER REQUIREMENTS

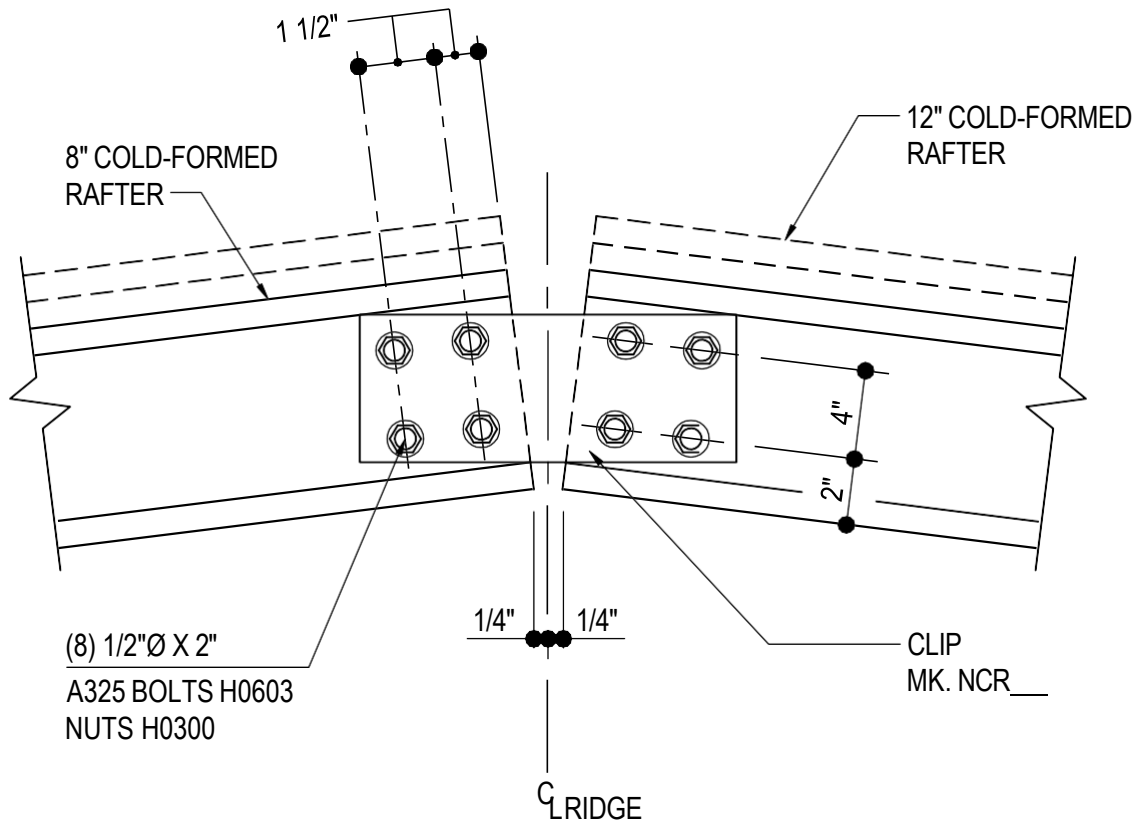
**AB0120**

Detailer Notes:

- 1) N/A

AB0150 - EW RAFTER RIDGE CONN

[Download the DWG file by clicking here.](#)



AB0150

## EW RAFTER RIDGE CONN

REFERENCE ERECTOR NOTE FOR TYPICAL WASHER REQUIREMENTS

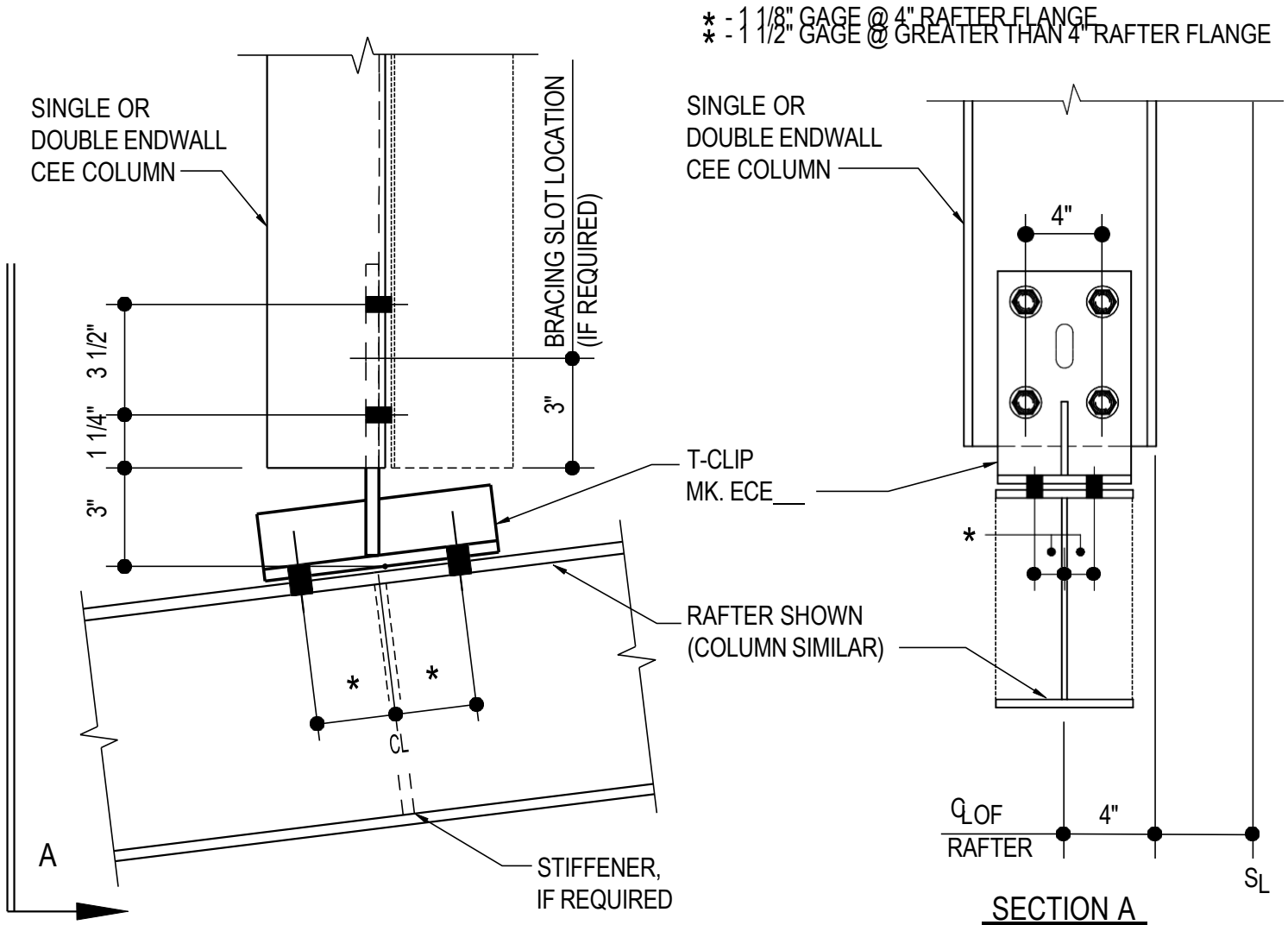
**AB0150**

Detailer Notes:

- 1) N/A

AB0200 - ENDWALL PIGGY-BACK CEE COLUMN TO RAFTER CONN

[Download the DWG file by clicking here.](#)



**ENDWALL PIGGY-BACK CEE  
COLUMN TO RAFTER CONN**

USE (8) 1/2" Ø X 2" A325 BOLTS H0603 / NUTS H0300  
REFERENCE ERECTOR NOTE FOR TYPICAL WASHER REQUIREMENTS

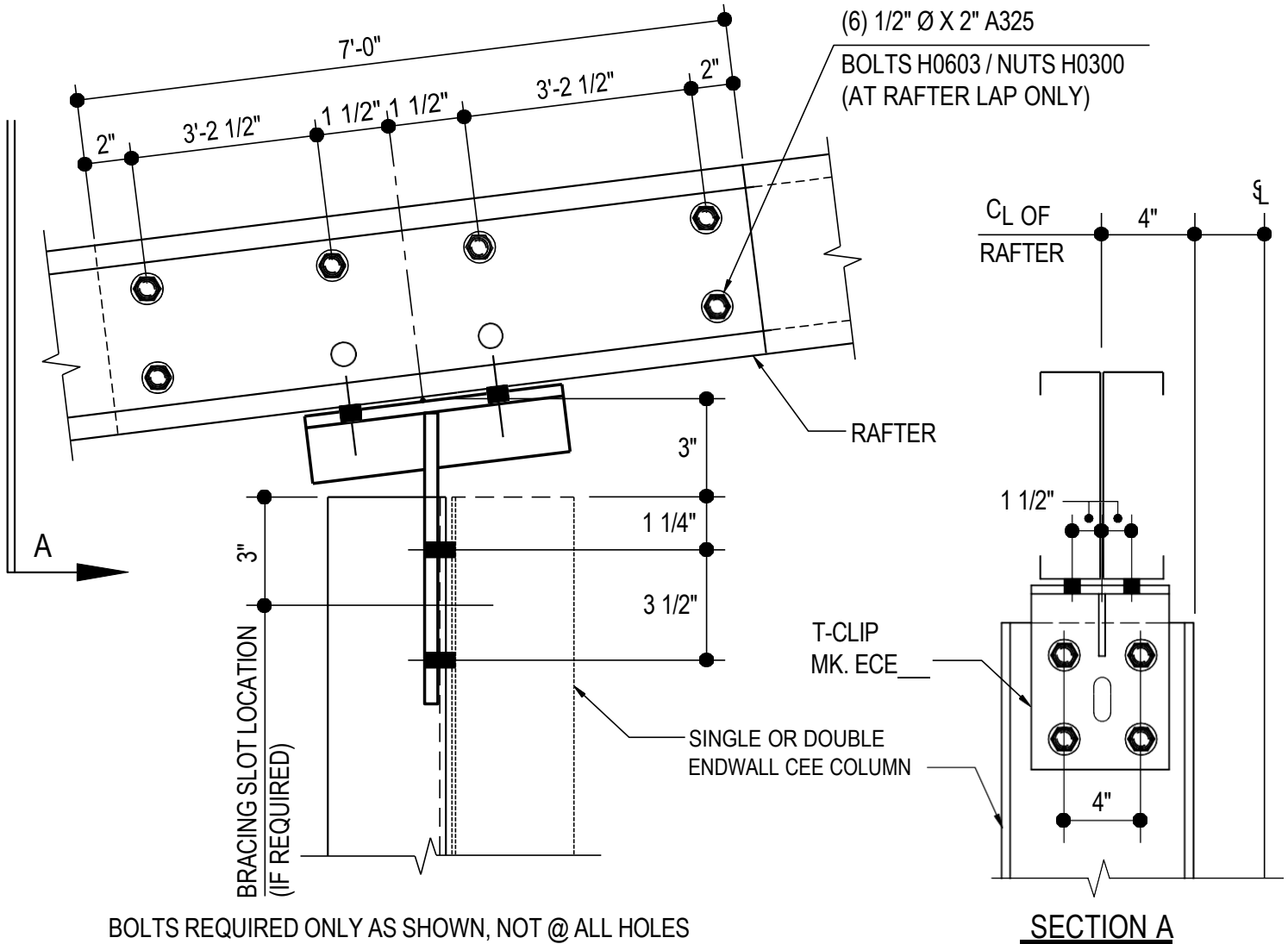
**AB0200**

Detailer Notes:

- 1) N/A

AB0210 - ENDWALL PIGGY-BACK CEE COLUMN TO RAFTER CONN

[Download the DWG file by clicking here.](#)



## ENDWALL PIGGY-BACK CEE COLUMN TO RAFTER CONN

LAPPED COLD-FORM RAFTER

USE (8) 1/2" Ø X 2" A325 BOLTS H0603 / NUTS H0300

REFERENCE ERECTOR NOTE FOR TYPICAL WASHER REQUIREMENTS

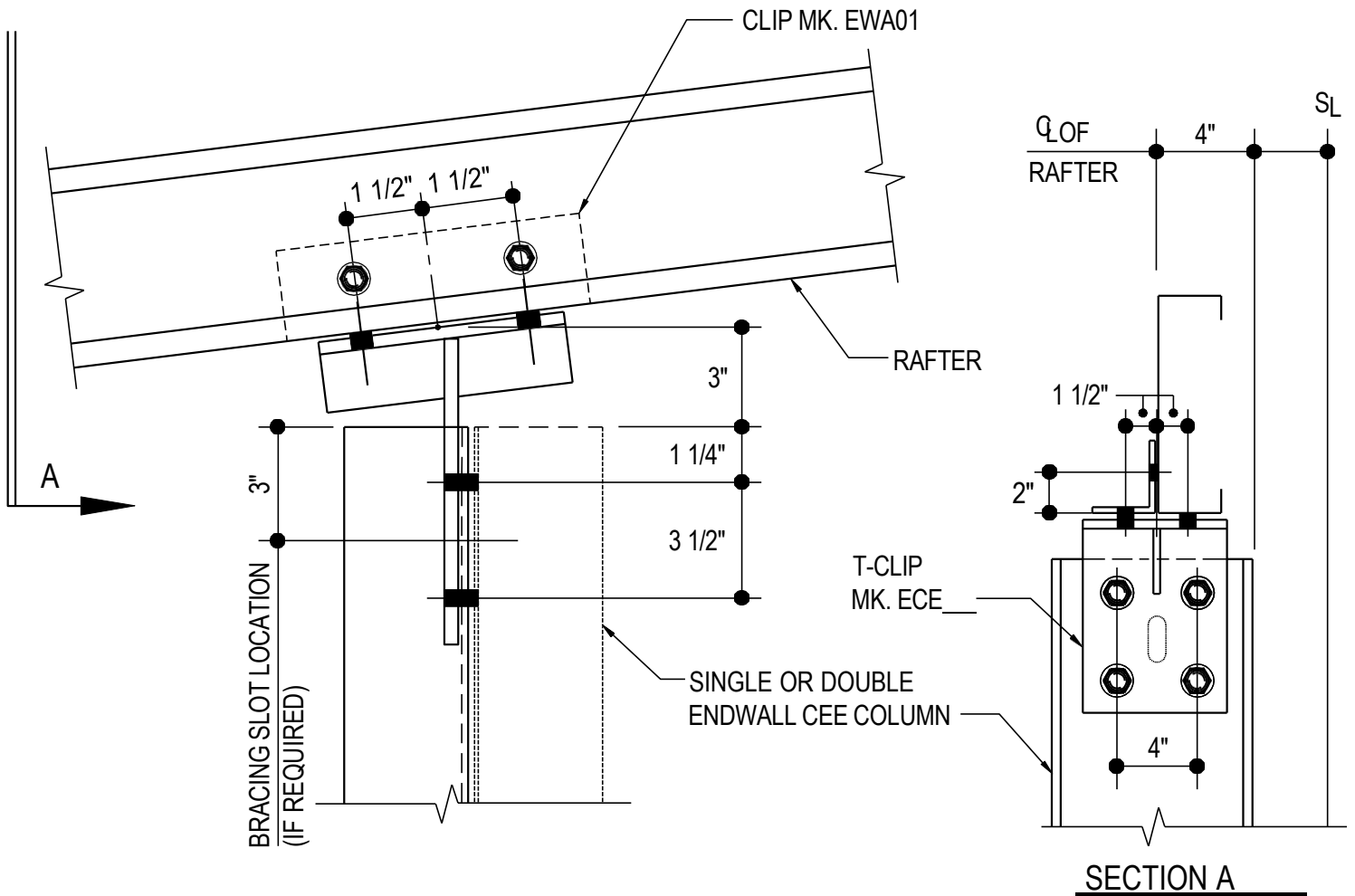
**AB0210**

Detailer Notes:

- 1) N/A

AB0220 - ENDWALL PIGGY-BACK CEE COLUMN TO RAFTER CONN

[Download the DWG file by clicking here.](#)



## ENDWALL PIGGY-BACK CEE COLUMN TO RAFTER CONN

SINGLE COLD-FORM RAFTER

USE (10) 1/2" Ø X 2" A325 BOLTS H0603 / NUTS H0300

REFERENCE ERECTOR NOTE FOR TYPICAL WASHER REQUIREMENTS

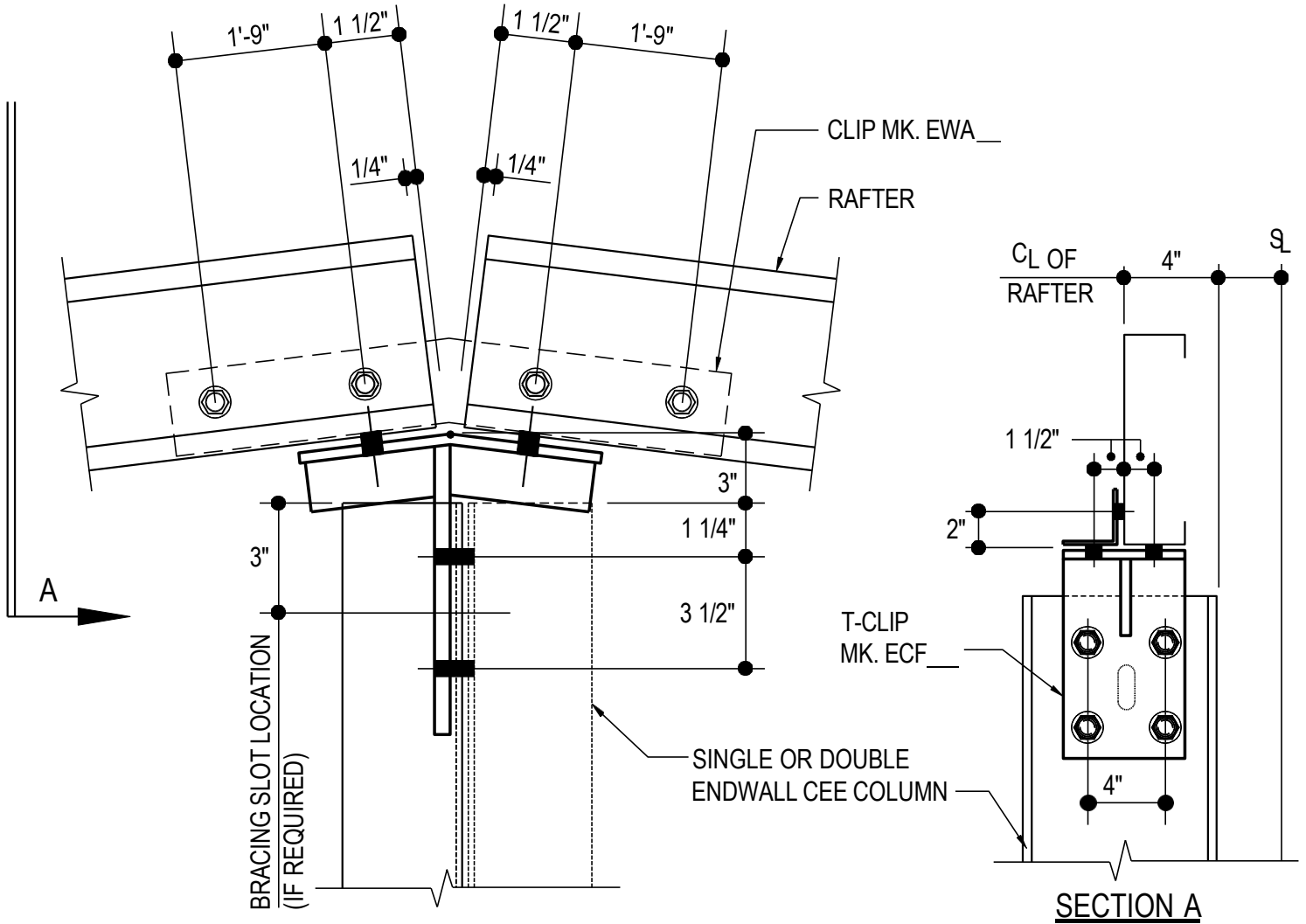
**AB0220**

Detailer Notes:

- 1) N/A

AB0230 - ENDWALL PIGGY-BACK CEE COLUMN TO RIDGE RAFTER CONN

[Download the DWG file by clicking here.](#)



## ENDWALL PIGGY-BACK CEE COLUMN TO RIDGE RAFTER CONN

COLD FORM RIDGE RAFTER CONNECTION

USE (12) 1/2" Ø X 2" A325 BOLTS H0603 / NUTS H0300

REFERENCE ERECTOR NOTE FOR TYPICAL WASHER REQUIREMENTS

**AB0230**

Detailer Notes:

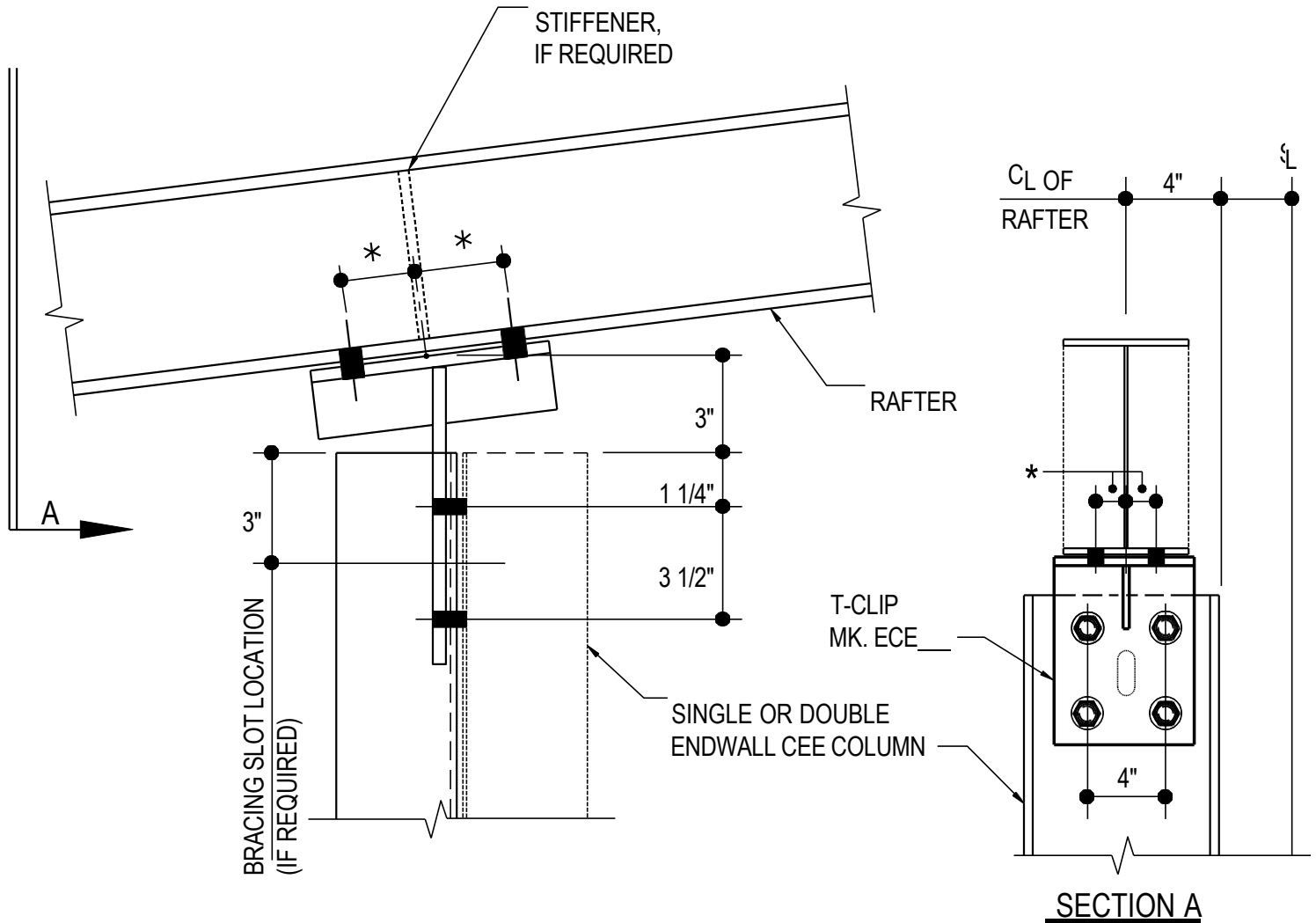
- 1) N/A



AB0240 - ENDWALL PIGGY-BACK CEE COLUMN TO RAFTER CONN

[Download the DWG file by clicking here.](#)

\* - 1 1/8" GAGE @ 4" RAFTER FLANGE  
\* - 1 1/2" GAGE @ GREATER THAN 4" RAFTER FLANGE



## ENDWALL PIGGY-BACK CEE COLUMN TO RAFTER CONN

CONTINUOUS BUILT-UP / HOT-ROLLED RAFTER  
USE (8) 1/2" Ø X 2" A325 BOLTS H0603 / NUTS H0300  
REFERENCE ERECTOR NOTE FOR TYPICAL WASHER REQUIREMENTS

**AB0240**

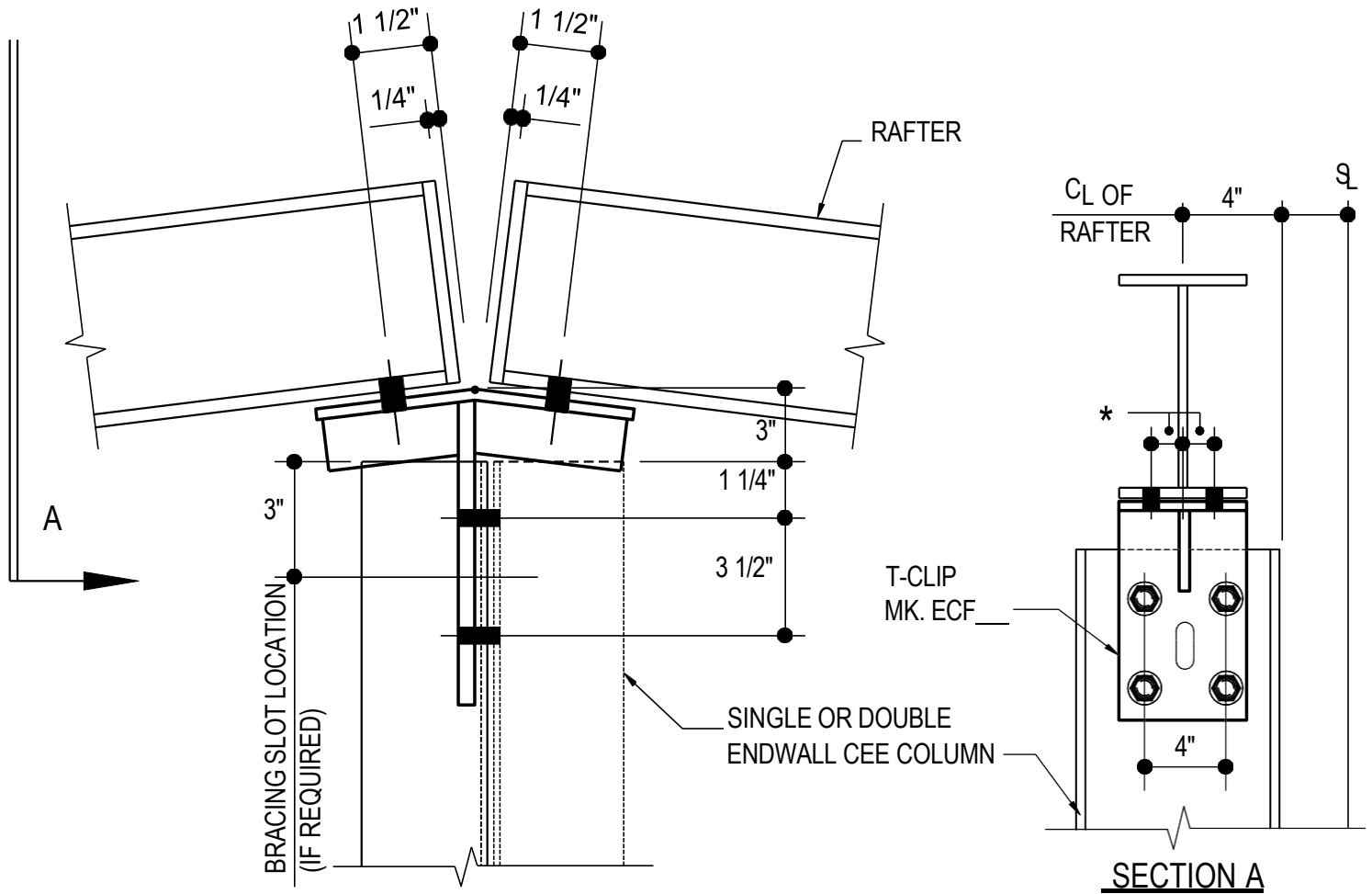
Detailer Notes:

- 1) N/A

AB0250 - ENDWALL PIGGY-BACK CEE COLUMN TO RIDGE RAFTER CONN

[Download the DWG file by clicking here.](#)

\* - 1 1/8" GAGE @ 4" RAFTER FLANGE  
\* - 1 1/2" GAGE @ GREATER THAN 4" RAFTER FLANGE



## ENDWALL PIGGY-BACK CEE COLUMN TO RIDGE RAFTER CONN

BUILT-UP / HOT-ROLLED RIDGE RAFTER CONNECTION  
USE (8) 1/2" Ø X 2" A325 BOLTS H0603 / NUTS H0300  
REFERENCE ERECTOR NOTE FOR TYPICAL WASHER REQUIREMENTS

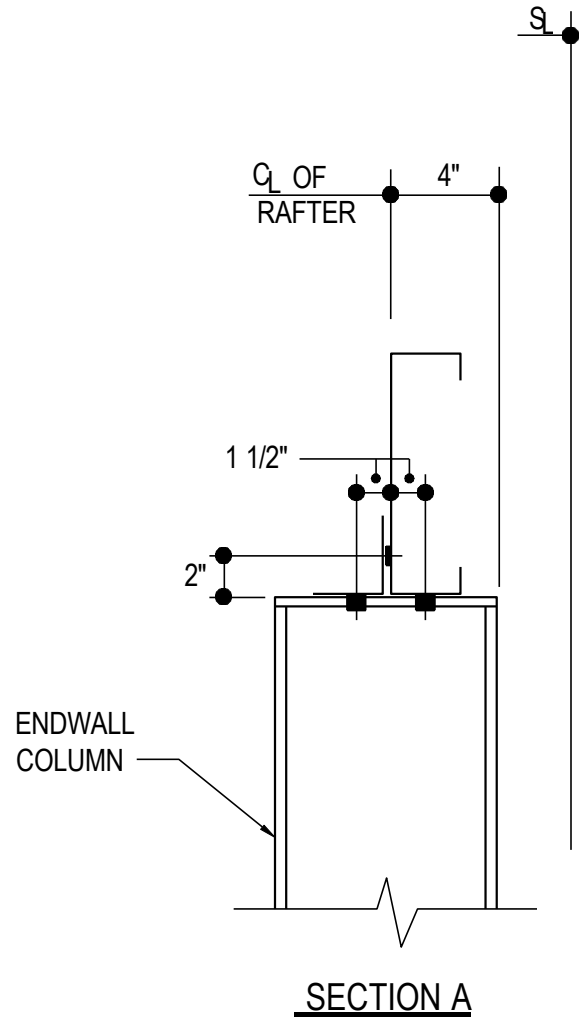
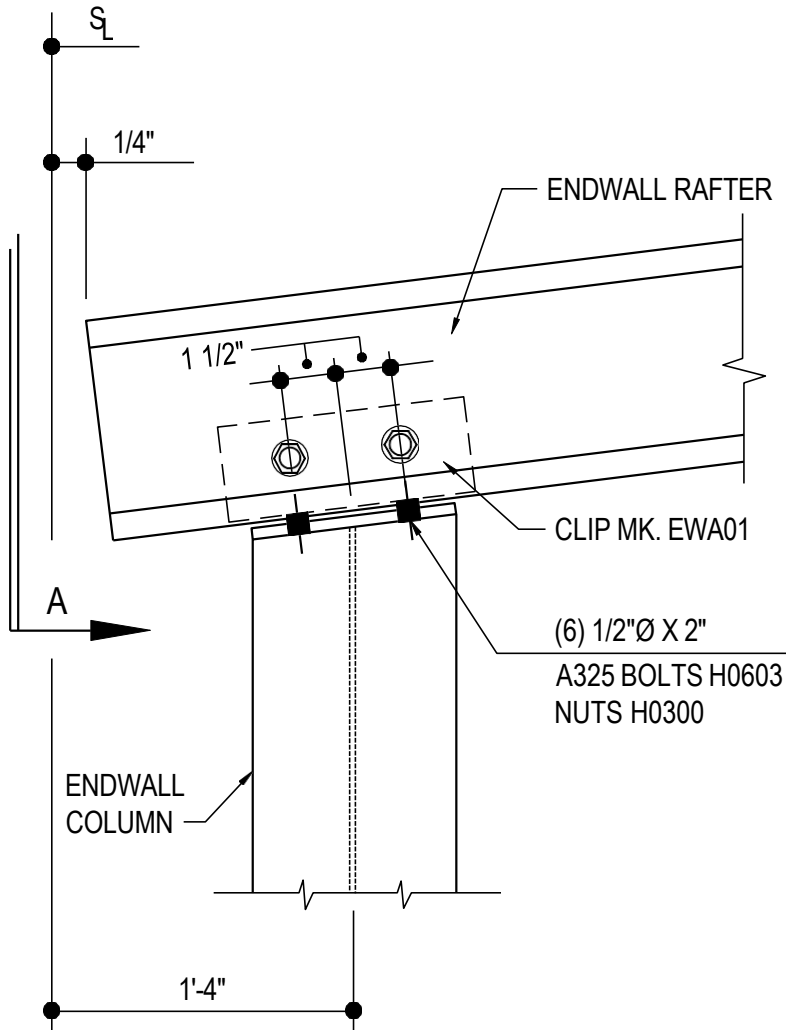
**AB0250**

Detailer Notes:

- 1) N/A

AB0510 - EW COL TO RAFTER CONN

[Download the DWG file by clicking here.](#)



## EW COL TO RAFTER CONN

REFERENCE ERECTOR NOTE FOR TYPICAL WASHER REQUIREMENTS

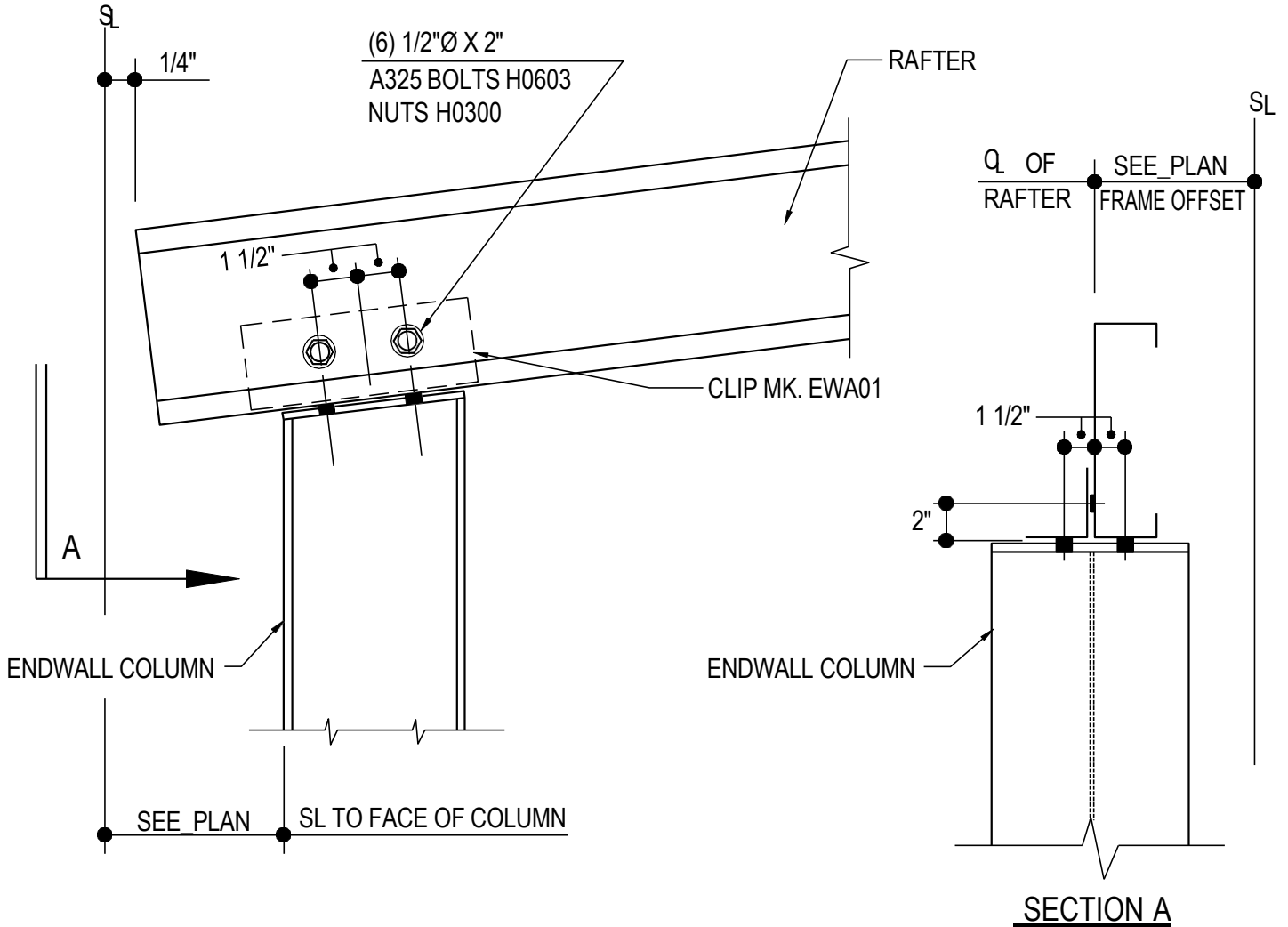
**AB0510**

Detailer Notes:

- 1) N/A

AB0515 - EW COL TO RAFTER CONN

[Download the DWG file by clicking here.](#)



## EW COL TO RAFTER CONN

REFERENCE ERECTOR NOTE FOR TYPICAL WASHER REQUIREMENTS

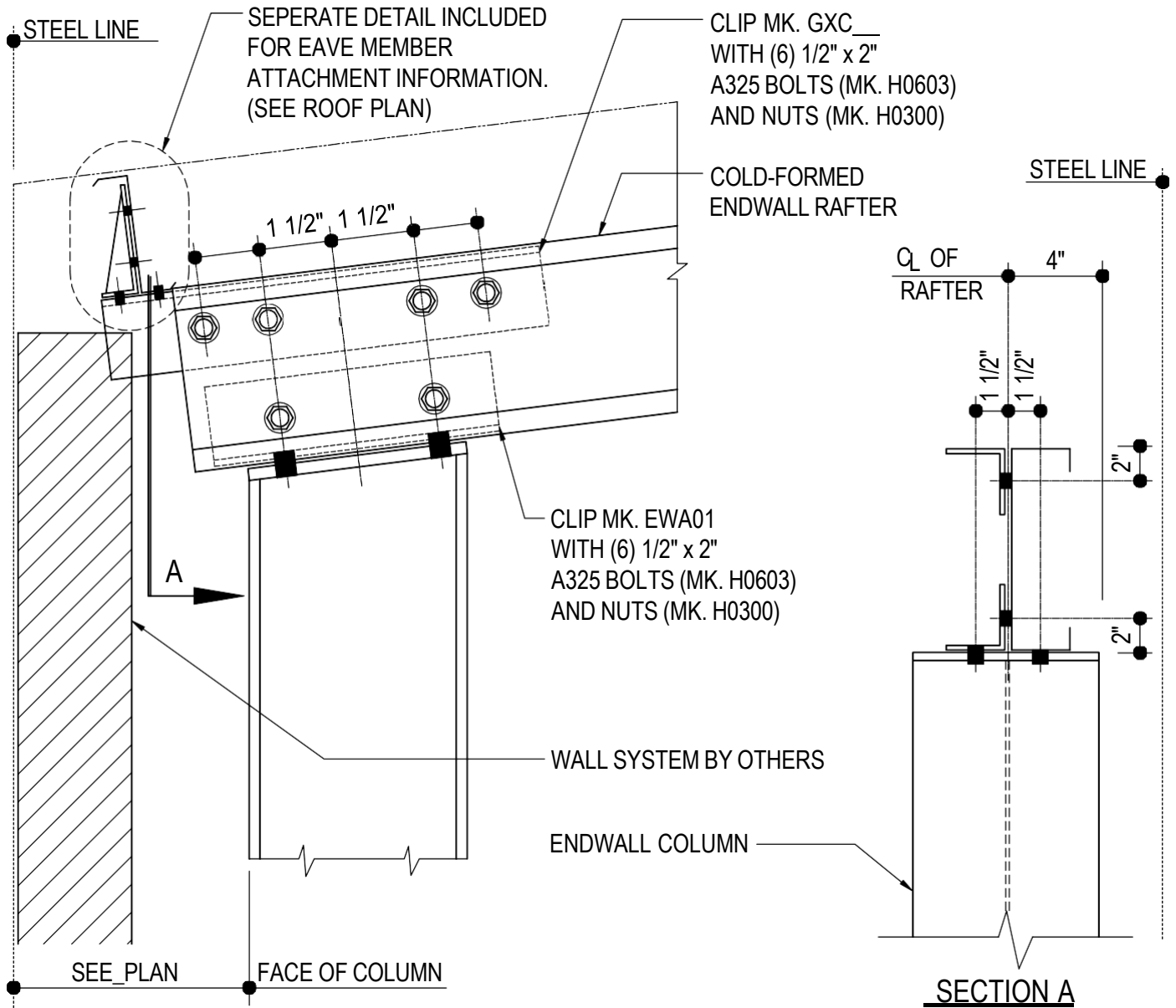
**AB0515**

Detailer Notes:

- 1) N/A

AB0516 -LOW EAVE COL. CF RAFTER @ MASONRY WALL (COL. ROT. 90 DEG)

[Download the DWG file by clicking here.](#)



**EW COLUMN TO RAFTER AT MASONRY**

COLUMN TOP CLIP FACTORY WELDED TO COLUMN  
 REFERENCE ERECTOR NOTE FOR TYPICAL WASHER REQUIREMENTS  
 REFERENCE ROOF FRAMING PLAN FOR EAVE PURLIN BOLT REQUIREMENTS

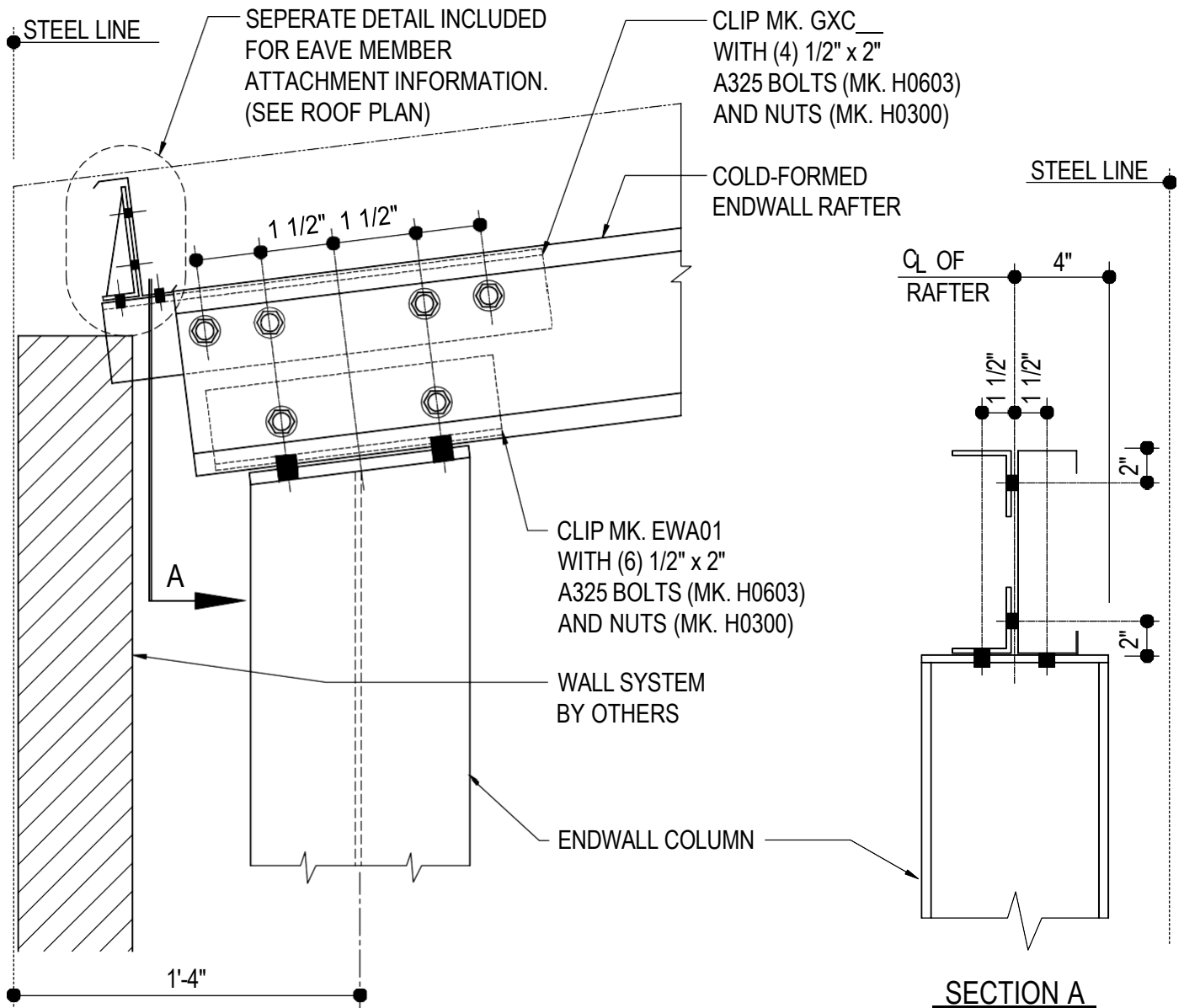
**AB0516**

Detailer Notes:

- 1) DETAILER MUST CREATE SPECIAL DETAIL FOR EAVE STRUT CONN. AND PLACE CALL OUT ON ROOF PLAN. DETAIL TO INCLUDE: **GXC- PART MARK & ATTACHING HARDWARE MARKS & QUANTITY.**

AB0517 - LOW EAVE COL. CF RAFTER @ MASONRY WALL (COL. ROT. 90 DEG)

[Download the DWG file by clicking here.](#)



## EW COLUMN TO RAFTER AT MASONRY

COLUMN TOP CLIP FACTORY WELDED TO COLUMN  
 REFERENCE ERECTOR NOTE FOR TYPICAL WASHER REQUIREMENTS  
 REFERENCE ROOF FRAMING PLAN FOR EAVE PURLIN BOLT REQUIRMENTS

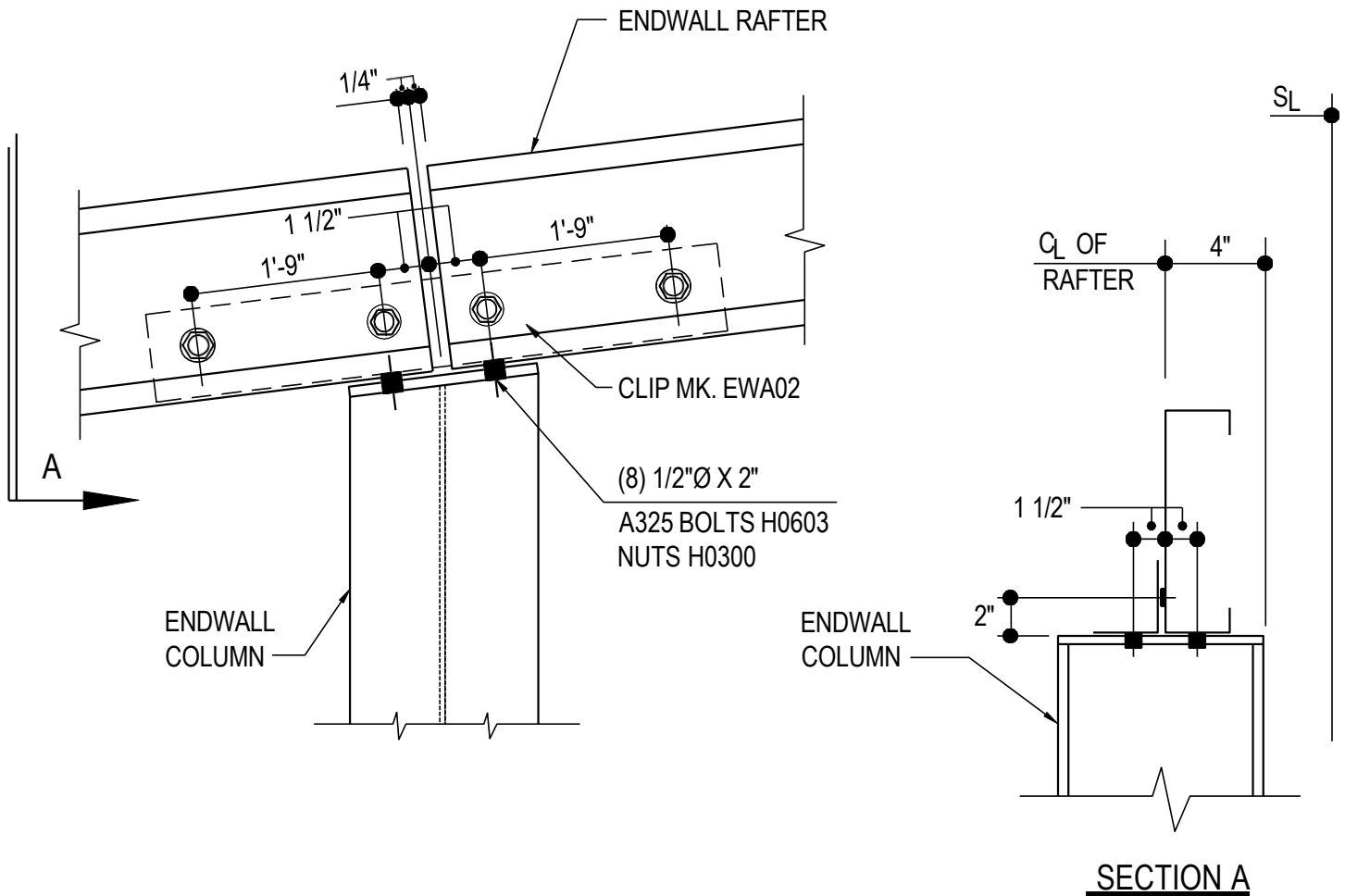
**AB0517**

**Detailer Notes:**

- 1) DETAILER MUST CREATE SPECIAL DETAIL FOR EAVE STRUT CONN. AND PLACE CALL OUT ON ROOF PLAN. DETAIL TO INCLUDE: **GXC- PART MARK & ATTACHING HARDWARE MARKS & QUANTITY.**

AB0530 - CF RAFTERS (SIMPLE SPAN)

[Download the DWG file by clicking here.](#)



## EW COL TO RAFTER CONN

(SIMPLE SPAN RAFTER)

REFERENCE ERECTOR NOTE FOR TYPICAL WASHER REQUIREMENTS

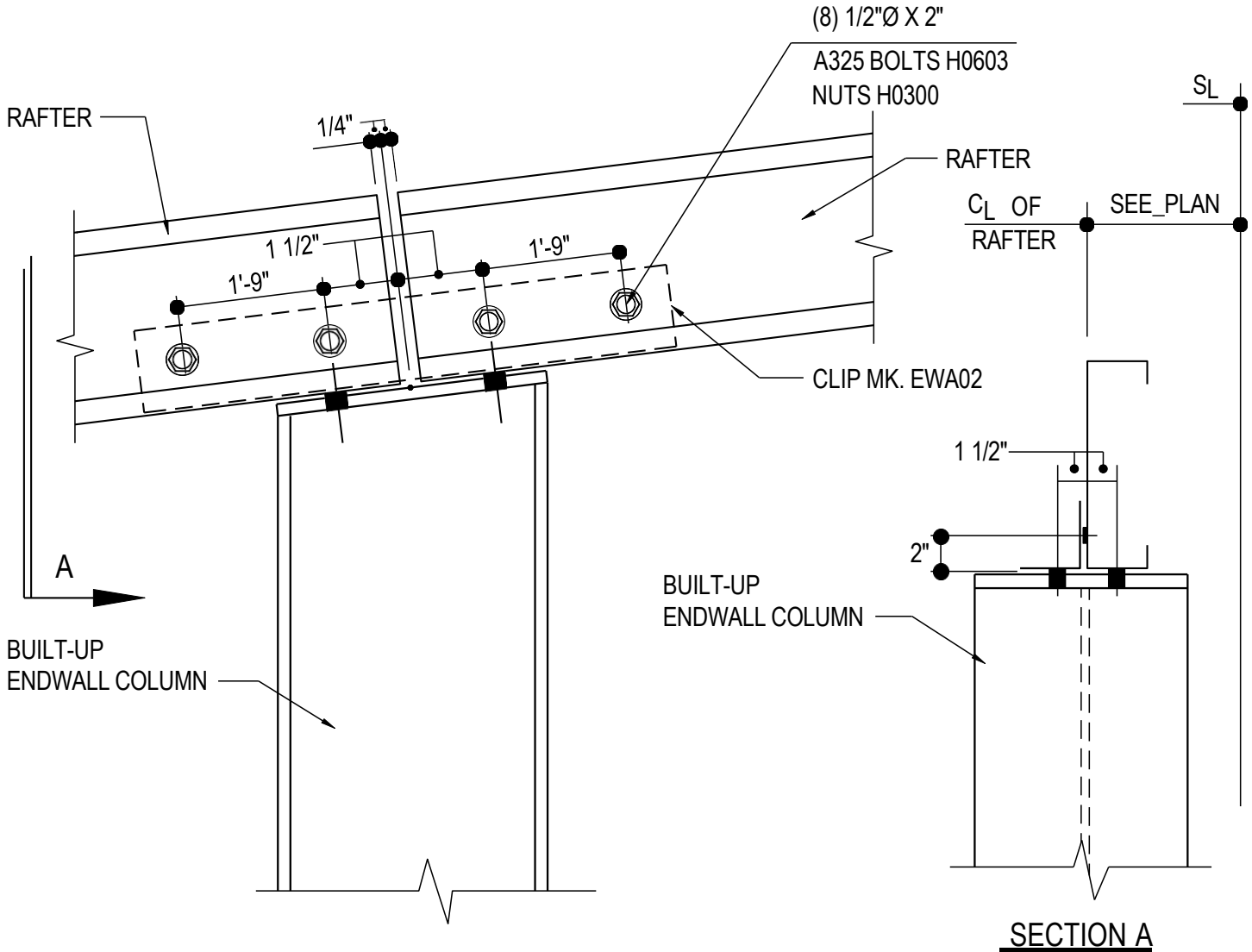
**AB0530**

Detailer Notes:

- 1) N/A

AB0535 - CF RAFTER (SIMPLE SPAN-COLUMN ROTATED 90 DEG)

[Download the DWG file by clicking here.](#)



## EW COLUMN TO RAFTER CONN

(SIMPLE SPAN)

COLUMN TOP CLIP FACTORY WELDED TO COLUMN

REFERENCE ERECTOR NOTE FOR TYPICAL WASHER REQUIREMENTS

**AB0535**

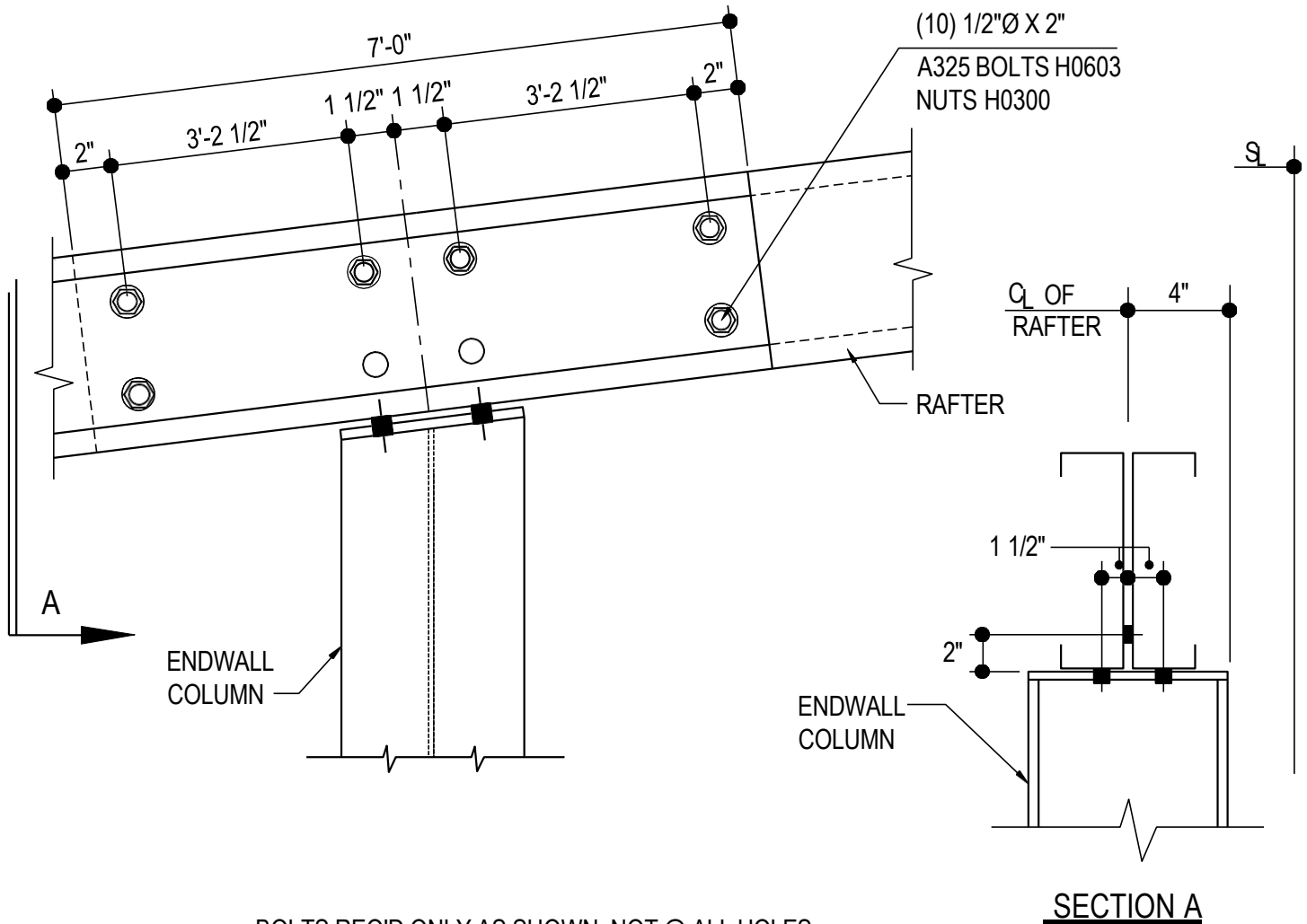
Detailer Notes:

- 1) N/A



AB0540 - CF RAFTER (LAPPED)

[Download the DWG file by clicking here.](#)



BOLTS REQ'D ONLY AS SHOWN, NOT @ ALL HOLES

## EW COL TO RAFTER CONN

(LAPPED RAFTER)

REFERENCE ERECTOR NOTE FOR TYPICAL WASHER REQUIREMENTS

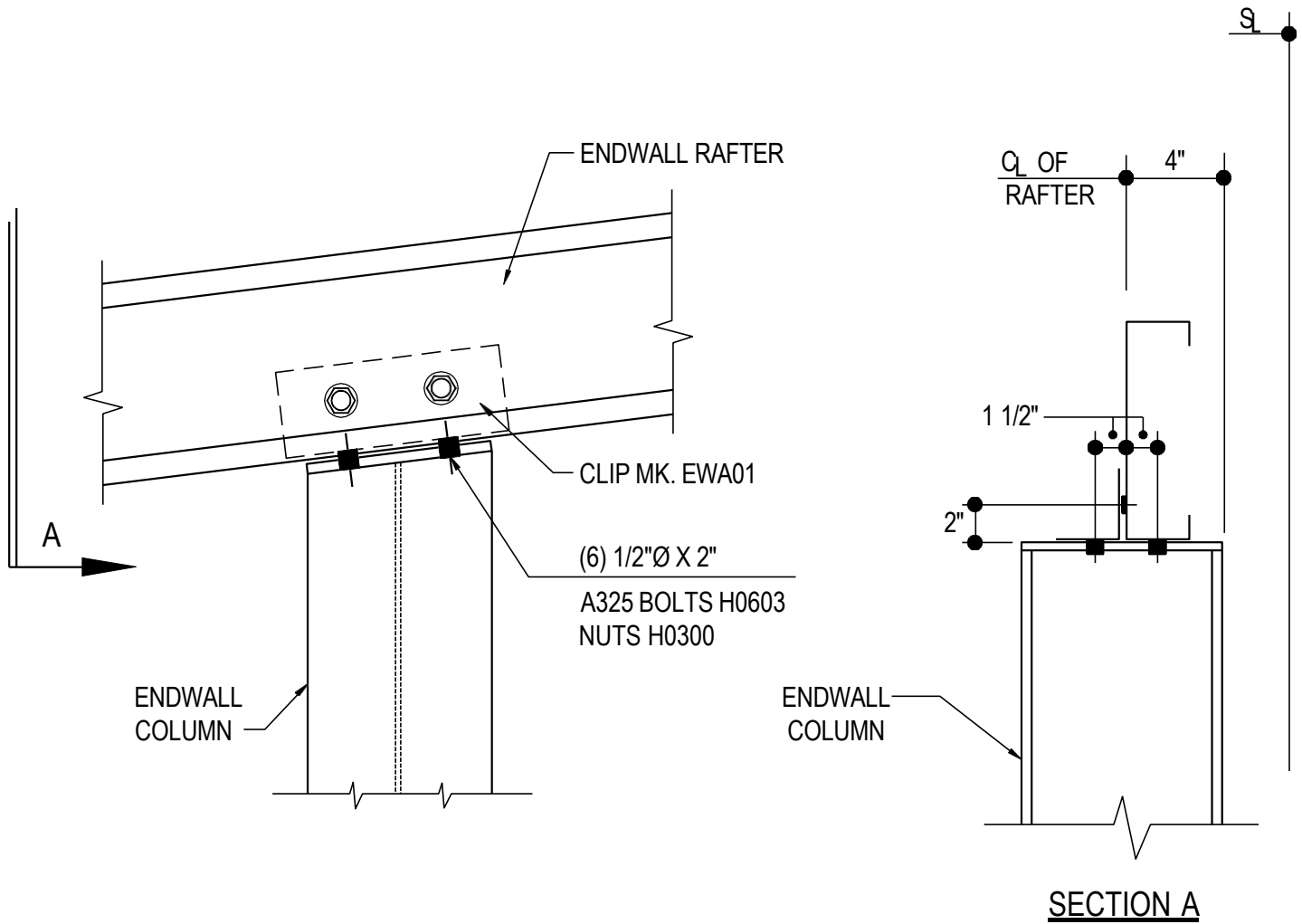
**AB0540**

Detailer Notes:

- 1) N/A

AB0545 - COLUMN TO CF RAFTER (CONTINUOUS)

[Download the DWG file by clicking here.](#)



## EW COL TO RAFTER CONN

(CONTINUOUS RAFTER)

REFERENCE ERECTOR NOTE FOR TYPICAL WASHER REQUIREMENTS

**AB0545**

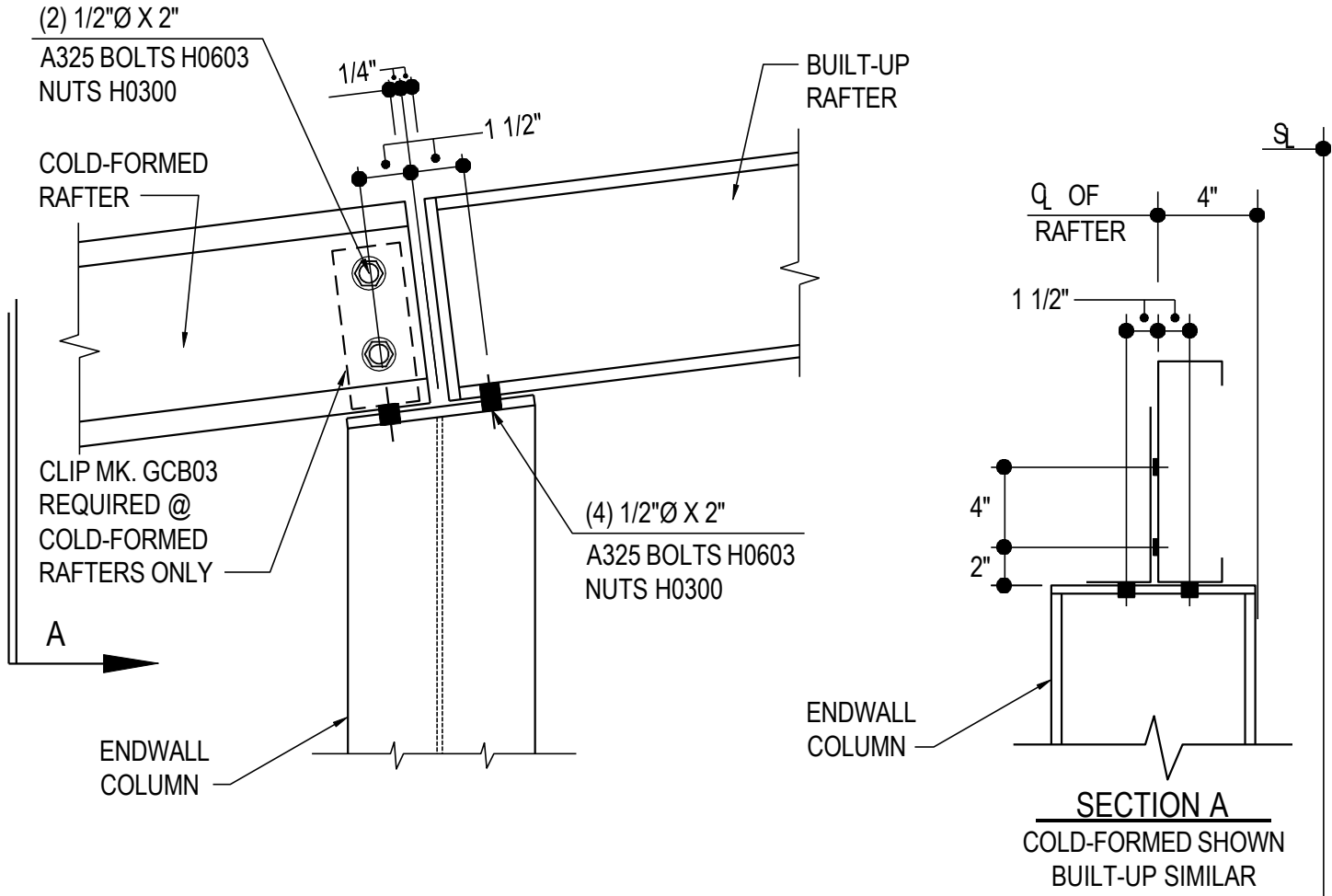
Detailer Notes:

- 1) N/A

AB0550 - INTERMEDIATE COL. CONN. (SIMPLE SPAN W/ BU & CF RAFTERS @ OPP. SIDES)

[Download the DWG file by clicking here.](#)

COLD FORMED RAFTER SHOWN ON LEFT SIDE,  
BU/HR ON RIGHT. OPPOSITE POSITION SIMILAR.



## EW COL TO RAFTER CONN

REFERENCE ERECTOR NOTE FOR TYPICAL WASHER REQUIREMENTS

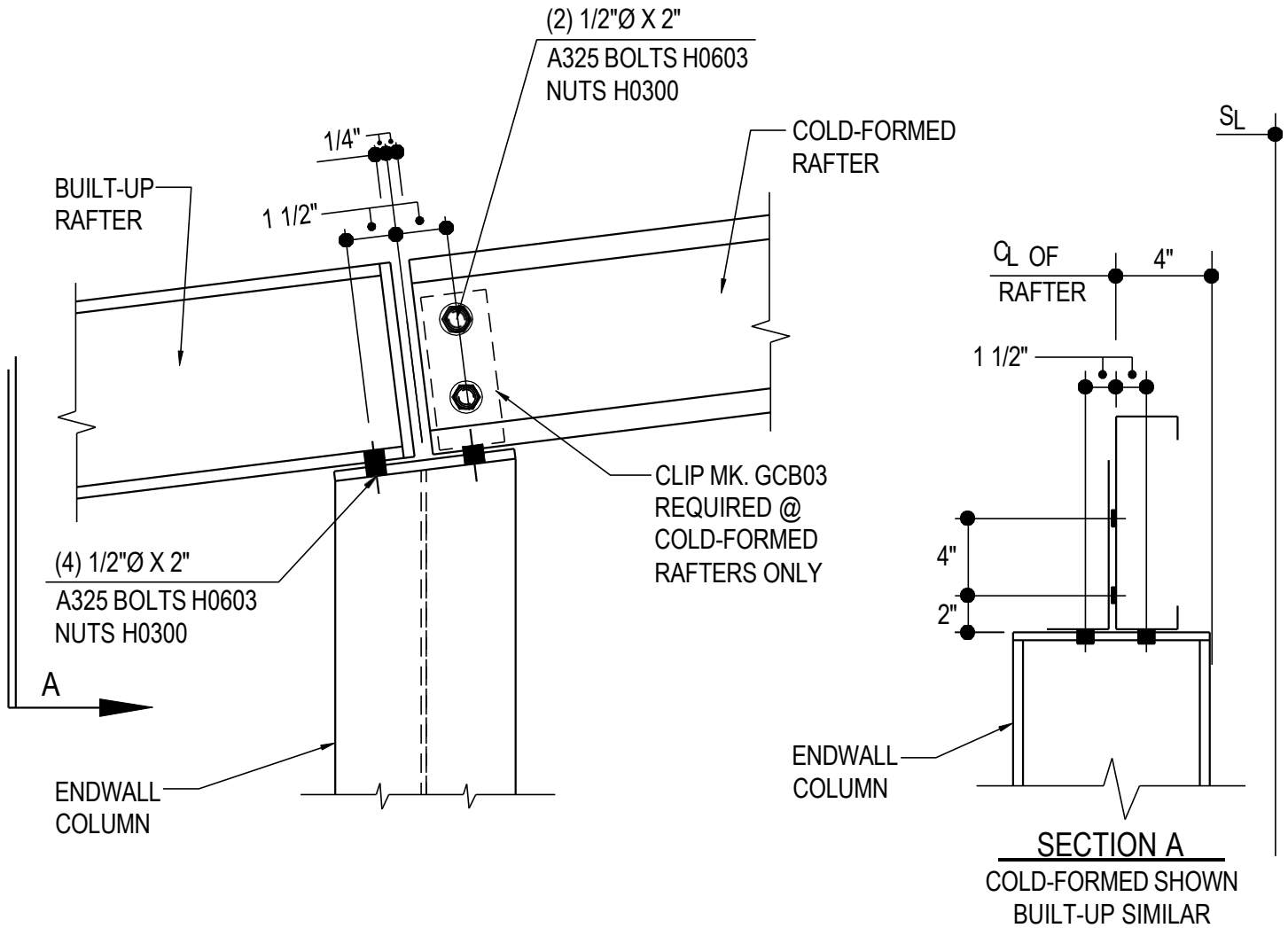
**AB0550**

Detailer Notes:

- 1) N/A

AB0560 - BU RAFTER LEFT CF RAFTER RIGHT

[Download the DWG file by clicking here.](#)



## EW COL TO RAFTER CONN

REFERENCE ERECTOR NOTE FOR TYPICAL WASHER REQUIREMENTS

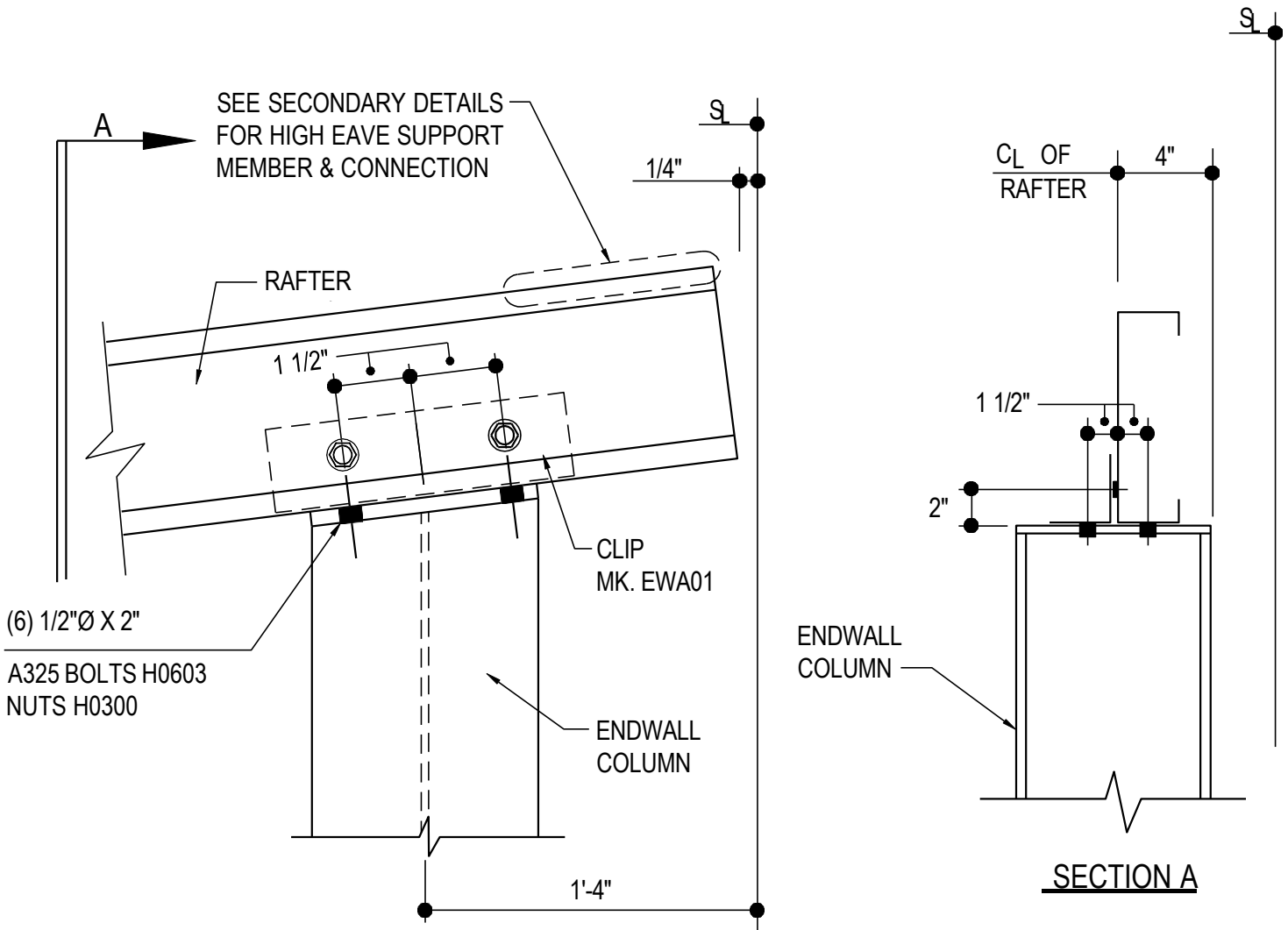
**AB0560**

Detailer Notes:

- 1) N/A

AB0590 - HIGH EAVE (CF RAFTER)

[Download the DWG file by clicking here.](#)



## EW COL TO RAFTER CONN

REFERENCE ERECTOR NOTE FOR TYPICAL WASHER REQUIREMENTS

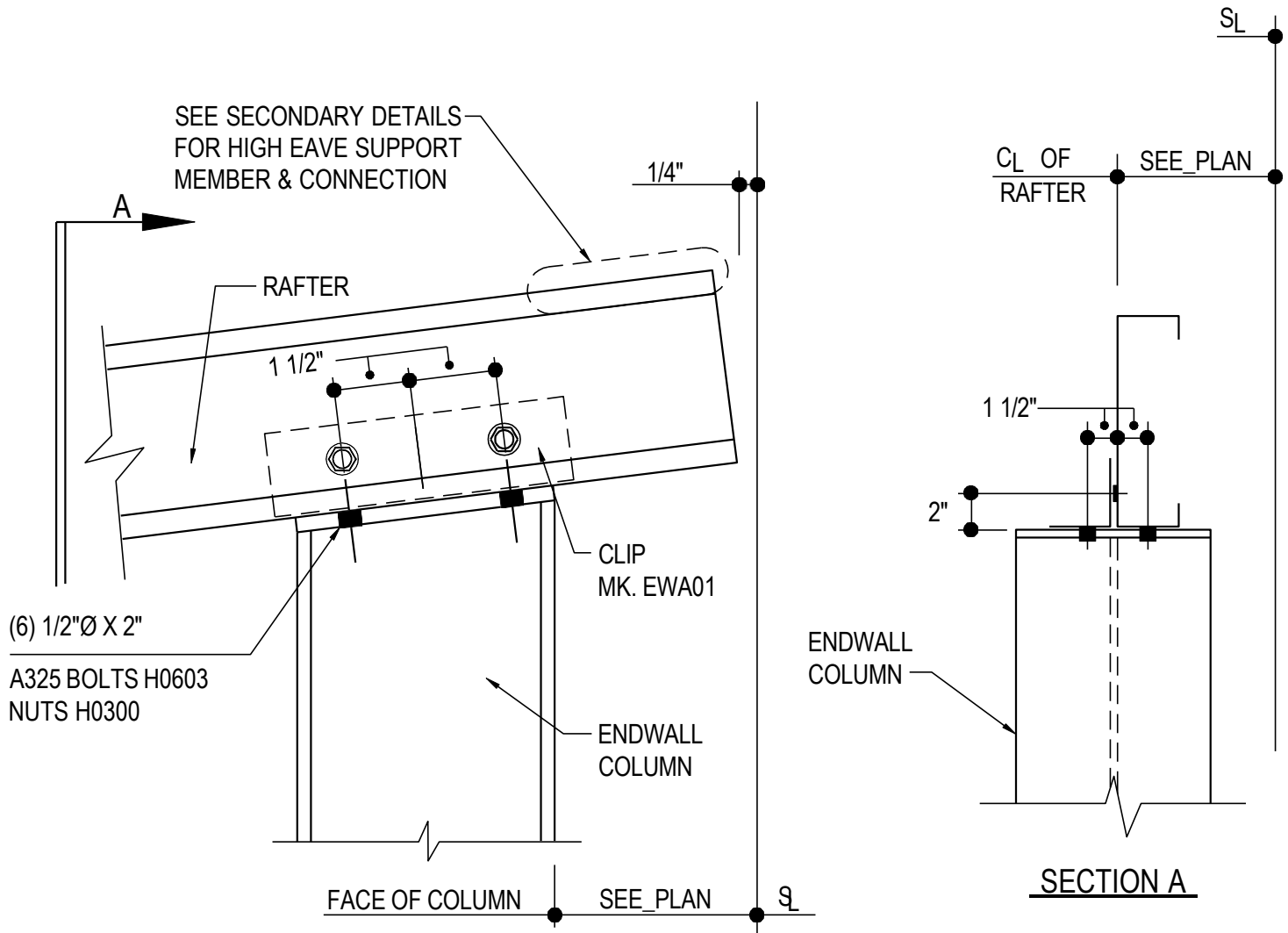
**AB0590**

Detailer Notes:

- 1) N/A

AB0595 - EW COL TO RAFTER (COL ROTATED 90° @ HIGH EAVE)

[Download the DWG file by clicking here.](#)



**EW COL TO RAFTER (COL ROTATED 90° @ HIGH EAVE)**

REFERENCE ERECTOR NOTE FOR TYPICAL WASHER REQUIREMENTS

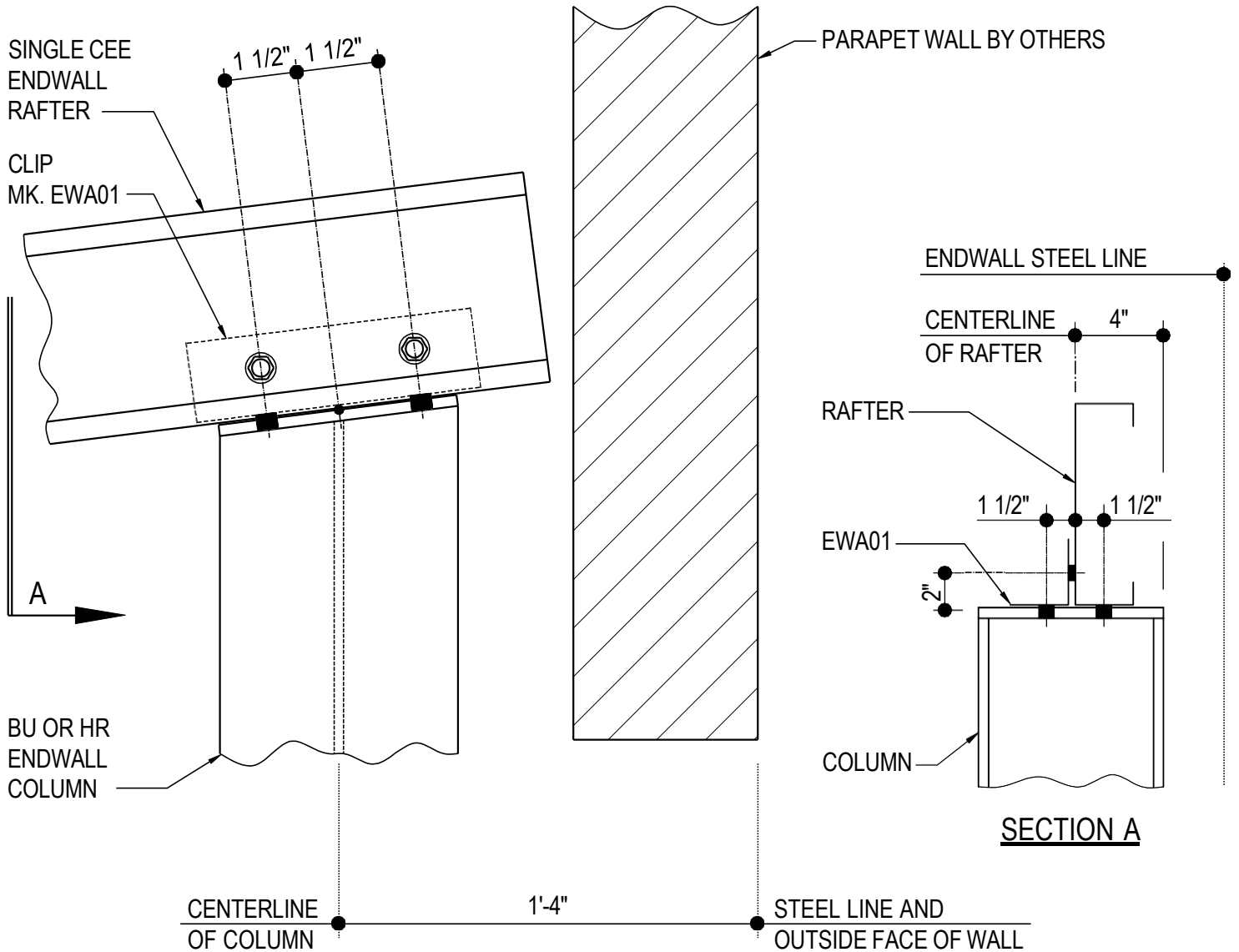
**AB0595**

Detailer Notes:

- 1) N/A

AB0598 -EW COLUMN TO RAFTER CONNECTION (HIGH EAVE @ PARAPET BY OTHERS)

[Download the DWG file by clicking here.](#)



**EW COL. TO RAFTER CONN. (HIGH EAVE @ PARAPET BY OTHERS)**

BU OR HR COLUMN TO CEE RAFTER CONNECTION

USE (6) 1/2"Ø x 2" A325 BOLTS (MK. H0603) & NUTS (MK. H0300)

REFERENCE ERECTOR NOTE FOR TYPICAL WASHER REQUIREMENTS

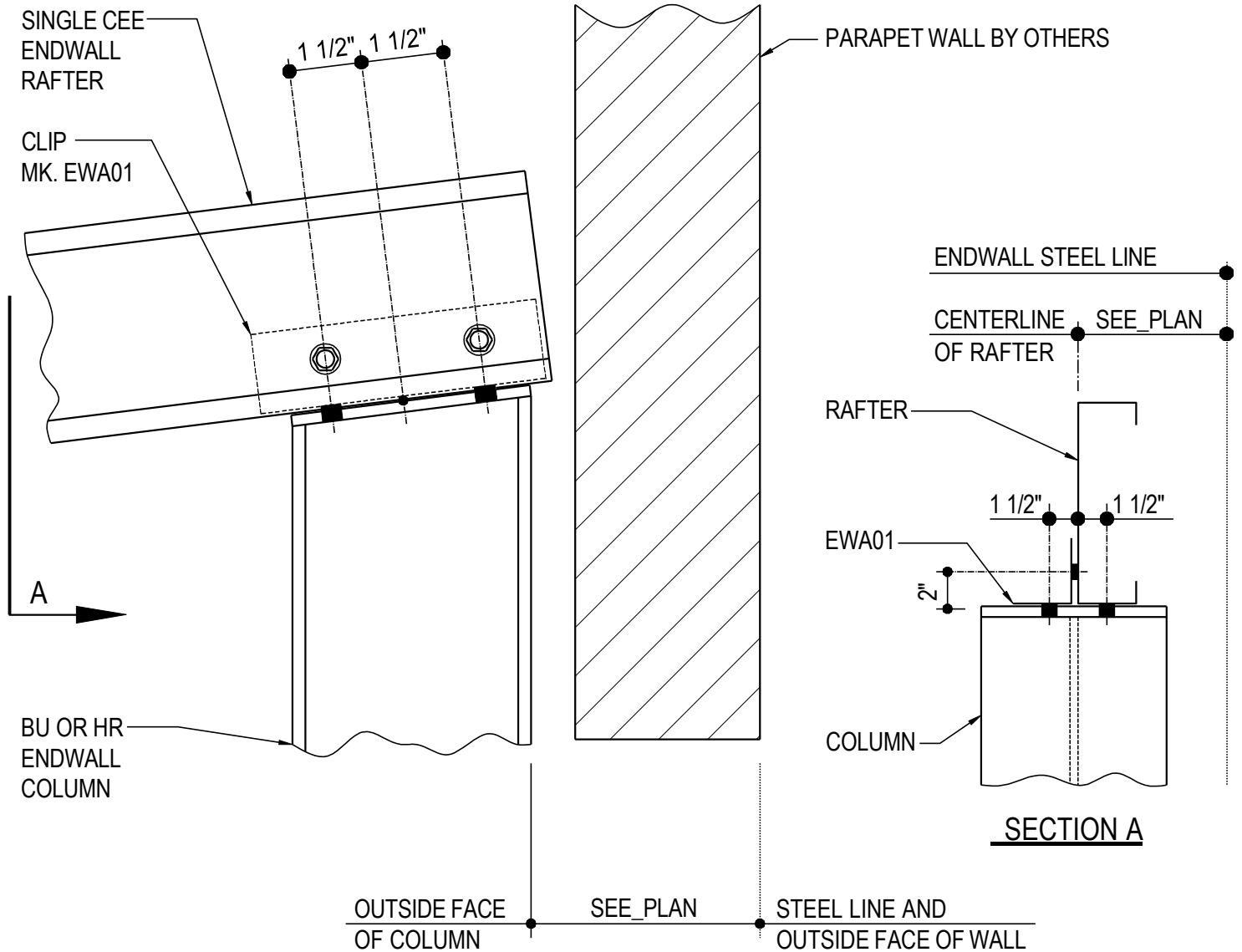
**AB0598**

Detailer Notes:

- 1) N/A

(AB0599 - 90° ROTATED EW COL TO RAFTER CONN @ H EAVE (WITH PARAPET))

[Download the DWG file by clicking here.](#)



**90° ROTATED EW COL TO RAFTER CONN @ H EAVE (WITH PARAPET)**

BU OR HR COLUMN TO CEE RAFTER CONNECTION  
 USE (6) 1/2"Ø x 2" A325 BOLTS (MK. H0603) & NUTS (MK. H0300)  
 REFERENCE ERECTOR NOTE FOR TYPICAL WASHER REQUIREMENTS

**AB0599**

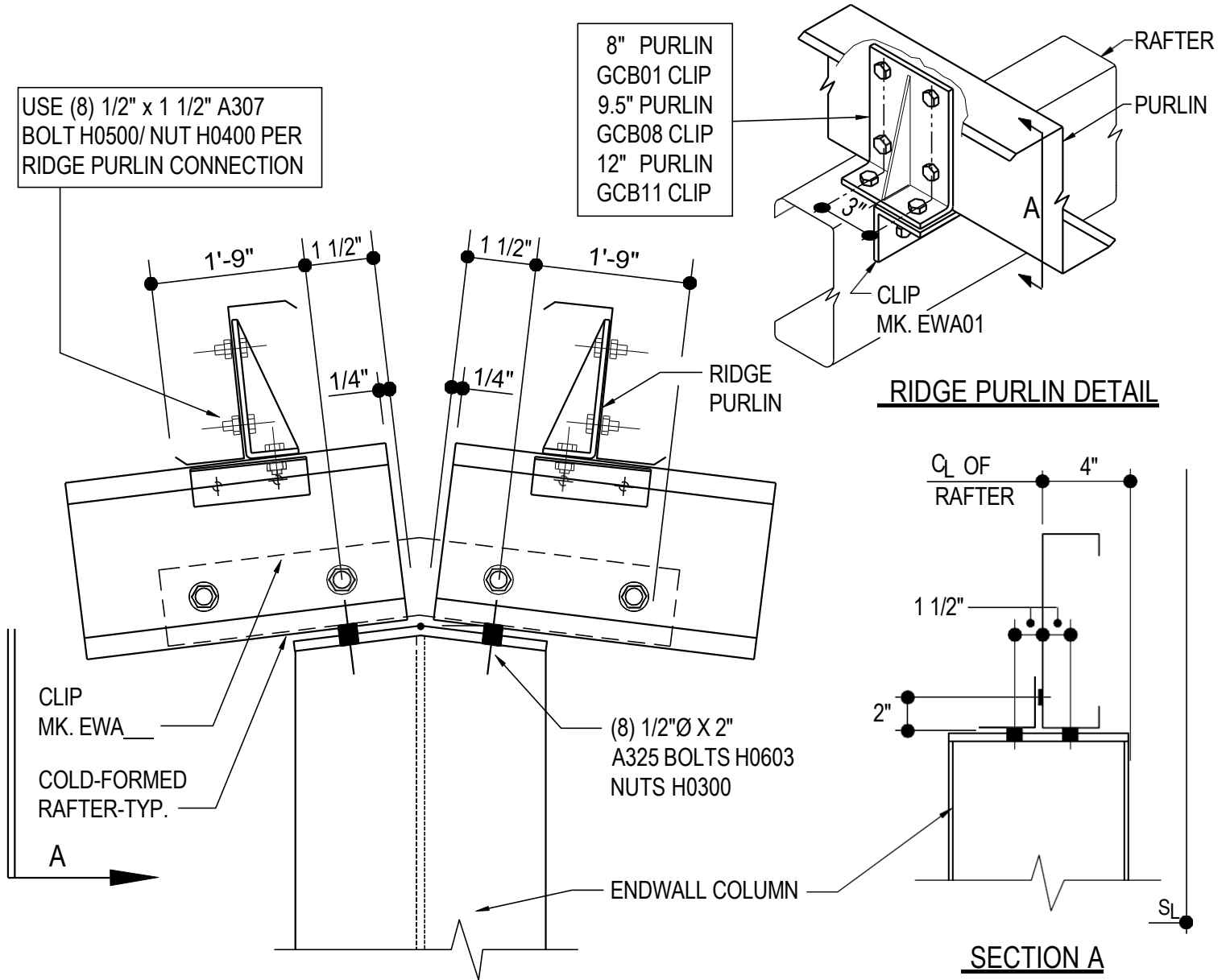
Detailer Notes:

- 1) N/A



AB0610 - EW COL TO CF RAFTER CONN (@ RIDGE)

[Download the DWG file by clicking here.](#)



**EW COL TO CF RAFTER CONN (@ RIDGE)**

REFERENCE ERECTOR NOTE FOR TYPICAL WASHER REQUIREMENTS

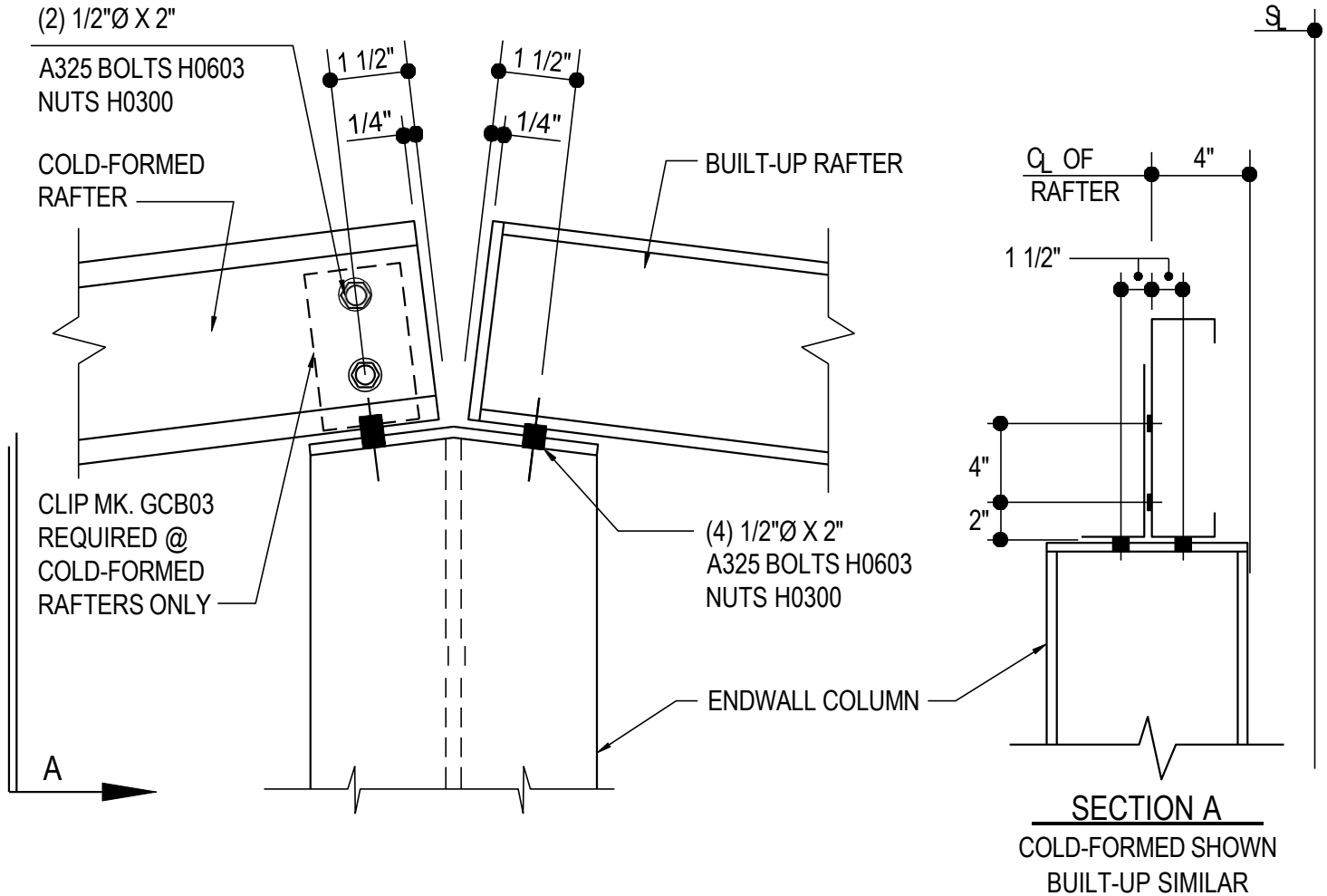
**AB0610**

Detailer Notes:

- 1) N/A

AB0620 - RIDGE (BU RAFTER RIGHT, CF RAFTER LEFT)

[Download the DWG file by clicking here.](#)



**RIDGE (BU RAFTER RIGHT, CF RAFTER LEFT)**

REFERENCE ERECTOR NOTE FOR TYPICAL WASHER REQUIREMENTS

**AB0620**

Detailer Notes:

- 1) N/A